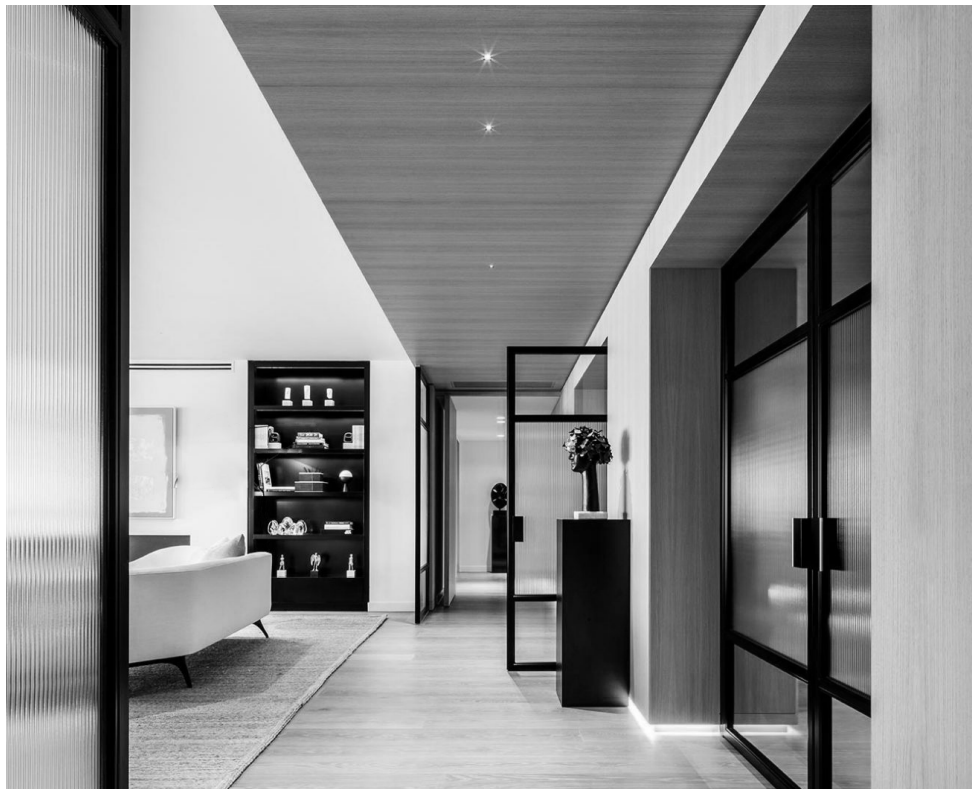




MINUS ONE Minimal Recessed

Quick Facts

- Class 2 Fixture, Remote Powered up to 45m (150ft) max
- Minimal fixture aperture: $\varnothing 10\text{mm}$ ($\varnothing 3/8''$)
- 19mm (3/4") recess depth required
- 12W Cree LED
- Up to 1000lm from source and 652lm delivered (IES files available upon request)
- Available in Warm White (2700K) and Soft White (3000K)
- Color Rendering Index ≥ 90
- 2-step SDCM ellipse for accurate color consistency between fixtures
- Full dimming range (0.1% to 100%) via remote power supply
- Suitable for installation in drywall, wood, metal and stone ceilings
- Suitable for dry, damp and wet locations (IP43)
- Type IC Rated, Plenum Rated, Airtight Rated
- Patented Product
- Engineered and made in Germany



Description

The MINUS ONE downlight brings sophistication to interior spaces with its never-before-seen performance. A single high performance LED is combined with precision-focusing optics to create an unprecedented light fixture. The high-tech design features a perfectly round 10 mm (3/8") aperture in either a 20 or 40 degree beam spread and includes various dimming protocols, each fully compatible with all major architectural lighting control systems.

Construction

- Extruded aluminum fixture body
- 50,000 hours LED lifetime
- Approximate fixture weight: 636g (1.41lbs)
- Operating Temperature: 10°C to 50°C

Fixture Size

- Visible Aperture: ϕ 10mm (ϕ 3/8")
- Recess Depth: 19mm (3/4")
- Heat Sink: 120mm x 120mm (4 - 3/4" x 4 - 3/4")

Light Output

- High performance Cree LED, available in various color temperatures
- 1000lm source light output, 652lm max delivered light output
- 2-step SDCM ellipse
- Color rendering index (CRI) min. 90
- Integral microprocessor controlled thermal protection

Electrical Specifications

24V DC Constant Voltage Input (Class 2, 12W Power Consumption)

- 96W 24V DC Power Supply Required (powers up to 4 fixtures)
- Magnetic Low Voltage (MLV) Dimming (or) 3-Wire Lutron Hi-Lume dimming protocols
- Recommended wire, min. 16 AWG plenum rated (CMP, when required) up to 150ft from remote transformer

Constant Current 1000mA 12V DC Input (Class 2, 12W Power Consumption)

- Remote 1000mA Constant Current Driver Required
- 0-10V 0.1% Dimming (or) 1-10V/Push/DALI (or) Phase Dimming drivers available
- Recommended wire, min. 16 AWG plenum rated (CMP, when required) up to 82ft from remote transformer

Installation Types

- Drywall installation for new construction and retrofit installations possible with the Universal Drywall Bracket, available for various drywall thicknesses.
- Custom installations for wood, metal and stone ceilings. Requires shop drawings available per request by Apure.
- The Minus series is not suitable for installation within steam rooms or saunas!

Listings

- UL Listed, CE Conform
- Suitable for dry, damp and wet locations, standard IP43, IP66 (*upon request*)
- Type IC Rated, Plenum Rated, Airtight Rated

Resources / Installation Videos

Scan QR Code or visit at apurelighting.com/resources/



Resources



Videos



ORDERING INFORMATION

SERIES

AM - Minus Series

MODEL

1 - Minus One

TYPE

1 - LED

ORIENTATION

F - Fixed

TEMPERATURE (CCT)

- 27 - Warm White (2700K)
 30 - Soft White (3000K)

COLOR RENDERING INDEX

90 - \geq 90

OPTICS (DEGREE)

- S - Spot (20°)
 F - Flood (40°)

DIMMING PROTOCOL

- A - Magnetic Low Voltage (MLV) (24V)*
 L - Lutron 3-Wire Hi-Lume 0.1% (24V)*
 CC** - 0-10V / DALI / Phase Dim (1000mA Constant Current, 12VDC)*

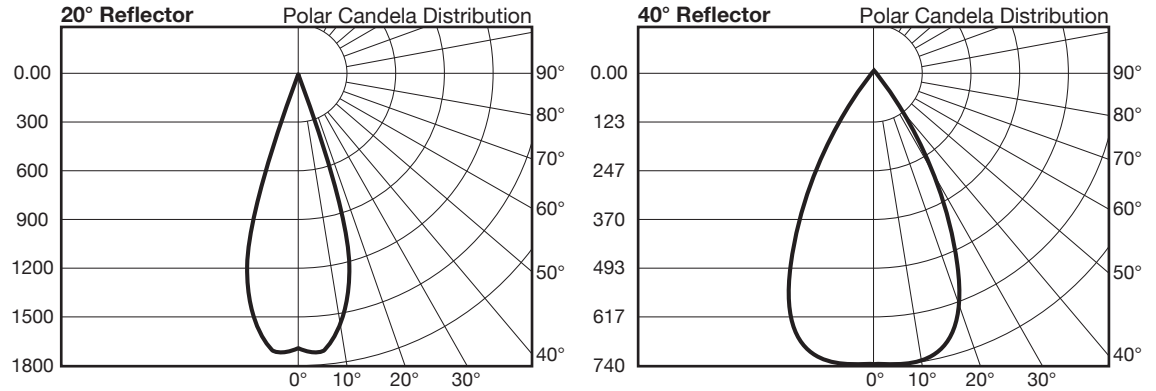
*remote power supply required

**Also cataloged as "EU"

ORDERING EXAMPLE

AM11F3090FCC

LED Photometrics



Drywall Accessories

Universal Drywall Bracket
 Universal Drywall Bracket
 Universal Drywall Bracket - (Standard)

Part Number

AM1BRKU10
 AM1BRKU12
 AM1BRKU15

Thickness

10mm
 12.5mm
 15mm

Requirement

Drywall Installations
 Drywall Installations
 Drywall Installations

Remote Power Supply for MLV Variant - [A]

Magnitude M-Series Power Supply (96W 24VDC)

Part Number

AA3096M

Input Voltage

120Vac

Listings

ETL Listed

Remote Power Supply for Lutron Variant - [L]

Lutron 3-wire Hi-Lume Premier Eco Driver (by others)
 Lutron 3-wire HomeWorks Digital Control (by others)

Part Number

L3D0-96W24V-U
 LHD0-96W24V-U

Input Voltage

120-277V
 120-277V

Listings

UL Listed
 UL Listed

Remote Power Supply for CC or EU Variant - [CC]

Magnitude AFLEX Power Supply (1000mA 60W)*
 Magnitude AFLEX JBZN Series (1000mA 60W)**
 Hatch FTX 0-10V (1000mA 50W)*
 Hatch XTC (1000mA 32W)*
 Apure Phase Dimmable (1000mA 26W)
 Apure Phase Dimmable (1000mA 65W)
 KGP DALI 2 NFC Touch Dim (500-1000mA 53.2W)*

Part Number

AA3010M1000
 AA3010MJBXX
 AA3FTXH1000
 AA3XTCH1000
 AA32202DEU
 AA32205DEU
 AA3DALI2EU

Input Voltage

120-277Vac
 120-277Vac
 120-277Vac
 120-277Vac
 220-240Vac
 220-240Vac
 220-240Vac

Listings

UL Listed
 UL Listed
 UL Listed
 UL Recognized
 CE
 CE
 CE

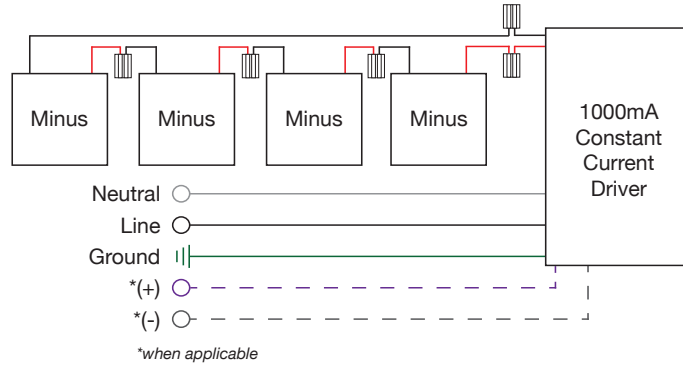
*Driver enclosure required where applicable.

**Refer to reseller for more information.

Custom Installation Types

- The universal bracket (AM1BRKUXX) is intended only for drywall installations.
- System ceilings, stone, wood and metal ceiling integrations are accomplished through custom fabrication by others. Please note, not all materials are suitable for installation. However, Apure will make every effort to accommodate custom integrations. Please contact your authorized Minus reseller for more information regarding custom ceiling integrations.
- Fixtures must have a minimum clearance of 12 inches (30cm) below or horizontally from the light source at all times!
- Observe and follow all local and national installation codes for all installation types.
- Test and make sure that all fixtures are working properly before any mudding, painting or finishing occurs!
- Read and adhere to all instructions supplied with each power supply and fixture.
- Follow all instructions supplied by power supply / driver manufacturer!

Wiring Diagram for Constant Current Minus products - [CC]



Fixture Leads
Red (+)
Black (-)

Warning: failure to wire correctly may cause fixture to fail.

Additional Considerations

The above wiring diagram applies only to Constant Current Minus products with product ordering codes ending with “CC”. The diagram above shows the typical wiring schematic, however the total number of fixtures per driver is driver specific.

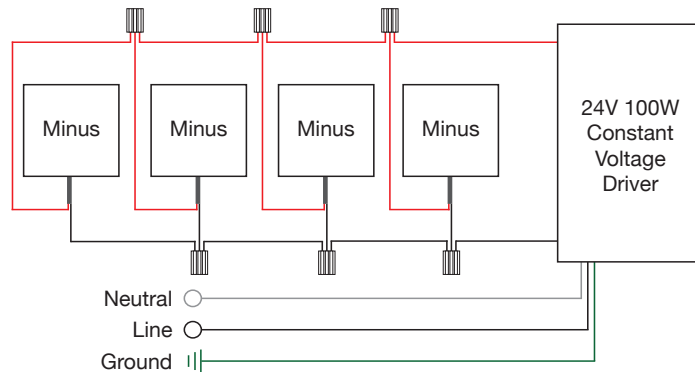
• Magnitude AFLEX 0-10V Driver (1000mA 60W)	1-4 Minus	16AWG - 82ft (25m)	US/CAN
• Hatch FTX 0-10V (1000mA 50W)	2-3 Minus	16AWG - 82ft (25m)	US/CAN
• Hatch XTC34 Phase Dimmable (1000mA 32W)	1-2 Minus	16AWG - 82ft (25m)	US/CAN
• Apure Phase Dimmable (1000mA 26W)	1-2 Minus	16AWG - 82ft (25m)	EU/INT'L
• Apure Phase Dimmable (1000mA 65W)	3-5 Minus	16AWG - 82ft (25m)	EU/INT'L
• KGP DALI 2 NFC Touch Dim (500-1000mA 53.2W)	1-4 Minus	16AWG - 82ft (25m)	EU/INT'L

WARNING: The power supply must operate within the range of minimum to maximum fixtures. Operation with less or more fixtures from the specified amount will result in damage to the power supply and/or lighting fixture. Incorrectly wiring the Constant Current lighting fixture may cause luminaire to fail.

Dimmer Compatibility

Driver manufacturers perform extensive compatibility testing with various dimmers and LED loads. Dimming performance may vary based on driver type, load, wiring, and dimmer model. Apure recommends verifying system performance prior to installation. Refer to the LED driver specification sheet for detailed dimming data.

Wiring Diagram for 24V Minus Products - [A] MLV or [L] Lutron



Fixture Leads
Red (+)
Black (-)

Additional Considerations

The above wiring diagram applies only to 24V Minus products with product ordering codes ending with “A” or “L”. The diagram above shows the typical wiring schematic, however the total number of fixtures per driver is driver specific.

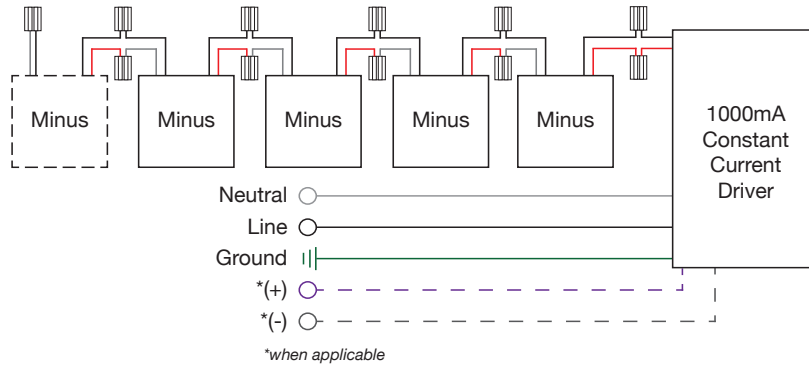
• Magnitude M-Series Constant Voltage Driver (96W 24VDC)	1-4 Minus	≤16AWG - 150ft (45m)	US/CAN
• Lutron Hi-Lume Constant Voltage Driver (96W 24VDC)	1-4 Minus	≤16AWG - 150ft (45m)	US/CAN
• Lutron HomeWorks Constant Voltage Driver (96W 24VDC)	1-4 Minus	≤16AWG - 150ft (45m)	US/CAN

WARNING: The power supply must operate within the range of minimum to maximum fixtures. Operation with less or more fixtures from the specified amount will result in damage to the power supply and/or lighting fixture.

Dimmer Compatibility

Driver manufacturers perform extensive compatibility testing with various dimmers and LED loads. Dimming performance may vary based on driver type, load, wiring, and dimmer model. Apure recommends verifying system performance prior to installation. Refer to the LED driver specification sheet for detailed dimming data.

Wiring Diagram for Constant Current Minus products - [EU]



Fixture Leads In
Red with Red (+)
Black with Black (-)

Fixture Leads Out
Black with Black
White with Red

Warning: failure to wire correctly may cause fixture to fail.

Note: The white and black cables of the last fixture in the series must be bridged together!

Additional Considerations

The above wiring diagram applies only to Constant Current Minus products with product ordering codes ending with "EU". The diagram above shows the typical wiring schematic, however the total number of fixtures per driver is driver specific.

• Magnitude AFLEX 0-10V Driver (1000mA 60W)	1-4 Minus	16AWG - 82ft (25m)	US/CAN
• Hatch FTX 0-10V (1000mA 50W)	2-3 Minus	16AWG - 82ft (25m)	US/CAN
• Hatch XTC34 Phase Dimmable (1000mA 32W)	1-2 Minus	16AWG - 82ft (25m)	US/CAN
• Apure Phase Dimmable (1000mA 26W)	1-2 Minus	16AWG - 82ft (25m)	EU/INT'L
• Apure Phase Dimmable (1000mA 65W)	3-5 Minus	16AWG - 82ft (25m)	EU/INT'L
• KGP DALI 2 NFC Touch Dim (500-1000mA 53.2W)	1-4 Minus	16AWG - 82ft (25m)	EU/INT'L

WARNING: The power supply must operate within the range of minimum to maximum fixtures. Operation with less or more fixtures from the specified amount will result in damage to the power supply and/or lighting fixture. Incorrectly wiring the Constant Current lighting fixture may cause luminaire to fail.

Dimmer Compatibility

Driver manufacturers perform extensive compatibility testing with various dimmers and LED loads. Dimming performance may vary based on driver type, load, wiring, and dimmer model. Apure recommends verifying system performance prior to installation. Refer to the LED driver specification sheet for detailed dimming data.

Fixture Dimensions

