

## TANTUS LAC LED

**Surface Mounted Pull-Down** - Highly adjustable high power LED downlight fixture. Extruded aluminum housing and signature aluminum Apure© louver. LED lifetime rated for 50,000 hours.

### Construction

- Extruded aluminum body with anodized or powder coated finish combined with signature magnetic aluminum Apure© louver, available in various colors and combinations.
- Allows for up to 65° of adjustment from nadir, as well as 360° horizontally for highly adjustable directional lighting.
- Made in Germany, Design by Porsche Design Studio
- Cree LED module, includes integrated heat sink, and LED holder with adapter compatible with Apure LED reflectors.

### Electrical

- 120V-277V Universal Voltage, 13W Electrical Consumption
- Includes integral driver.
- Compatible with 2-wire ELV (reverse phase) dimmers.
- For optimal performance, operate luminaire in conjunction with dimming switches or modules. Proper wiring and use of dimmers is to be performed by a qualified professional.

### Mounting

- Mounts to standard 4" or 3.5" octagonal ceiling junction box.

### Required Accessories

- AA017 - 17° metalized molded plastic LED reflector
- AA024 - 24° metalized molded plastic LED reflector
- AA036 - 36° metalized molded plastic LED reflector

### Additional Accessories

- AA0RK - Ring clip (*Required for all diffusers/lenses*)
- AA0HC - Honeycomb clip on diffuser
- AA0GL - Glass lens
- AA0DF - Diffusing film (*Glass Lens Required*)

### Listings

- ETL listed, damp location.



### ORDERING INFORMATION

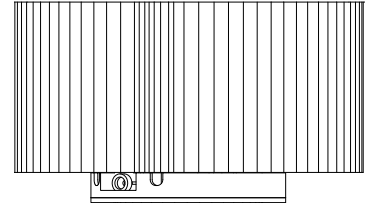
SERIES NO.	VOLTAGE	ORIENTATION	BODY FINISH	LOUVER FINISH	CCT/CRI
AP81	3	F	-	/	-
<b>AP81</b> - 13W LED surface mounted pull-down	<b>3</b> - UNV (120-277V)	<b>F</b> - Fixed	<b>WH</b> - white powder <b>BL</b> - black powder <b>CC</b> - custom color*  *Consult factory for options / details	<b>WH</b> - white powder coat <b>NA</b> - natural anodized <b>BA</b> - black anodized <b>TI</b> - titan anodized <b>GO</b> - gold anodized <b>BR</b> - bronze anodized <b>GM</b> - gun metal anodized <b>RG</b> - rose gold anodized	<b>2790</b> - 2700K (90+CRI) <b>3090</b> - 2700K (90+CRI) <b>4090</b> - 2700K (90+CRI) <b>xxxx</b> - Custom  *Consult factory for options / details (100MOQ required!)

**ORDERING EXAMPLE AP813F-WH/WH-3090**

# LED Engine / Accessories

## Clarus LED Engines

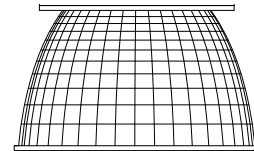
COB Manufacturer	CREE	CREE	CREE
Color Temperature (CCT)	2700K	3000K	4000K
Delivered Performance	13 watts	13 watts	13 watts
Colored Rendering Index (CRI)	>90 CRI	>90 CRI	>90 CRI
Lumens per Watt (lm/W)	99	99	114
Source Lumens Package	1245	1245	1433
MacAdam Ellipse (Binning)	Step 2	Step 2	Step 2
LED Lifespan (Hours)	50,000+	50,000+	50,000+
Housing Type	Shallow	Shallow	Shallow
Driver Dimming	Integral, ELV	Integral, ELV	Integral, ELV
Dimming Range	Dims to 0%	Dims to 0%	Dims to 0%



\* Custom CCT available upon request, MOQ 100pcs  
\* 0-10V driver available upon request

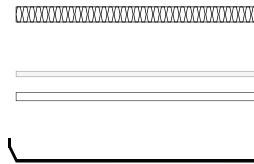
## Clarus LED Accessories (required)

Clarus LED Accessories	Description	Order Number
Clip On Reflector Types	17° Spot	AA017
	24° Narrow Flood	AA024
	36° Flood	AA036



## Clarus LED Accessories (optional)

Clarus LED Accessories	Description	Order Number
Clip On Lens Types	Honeycomb Lens	AA0HC
	Diffusing Lens (AA0GL Required)	AA0DF
	Clear Glass	AA0GL
	Ring Clip (Ring clip required for all lenses)	AA0RK



## ORDERING INFORMATION

SERIES NO.	TYPE	OPTIONS	REQUIRED
AA	0	—	
AA - Apure Accessory	0 - Reflector	17 - 17° reflector 24 - 24° reflector 36 - 36° reflector	

ORDERING EXAMPLE AA017

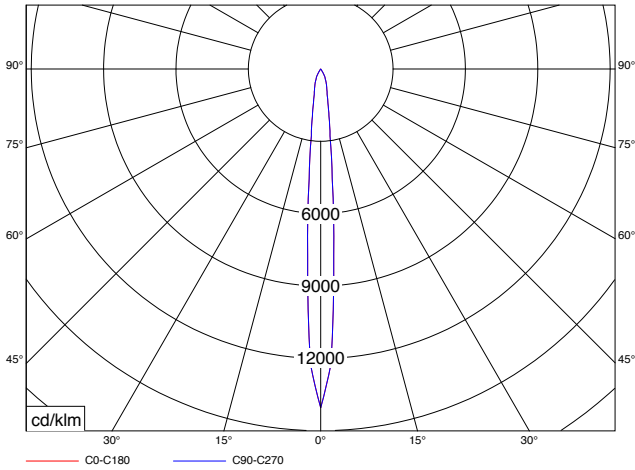
SERIES NO.	TYPE	OPTIONS	OPTIONAL
AA	0	—	
AA - Apure Accessory	0 - Reflector	HC - Honeycomb Lens DF - Diffusing Lens GL - Clear Glass RK - Ring Clip	

ORDERING EXAMPLE AA0HC + AA0RK

# LED Photometrics

## 17° Reflector

Polar Candela Distribution

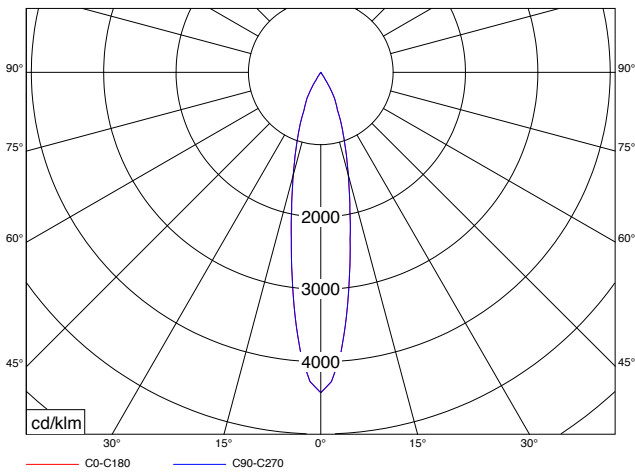


Distance [m]	Cone Diameter [m]	E [lx]
1.0	0.15	E(0°) 13662 E(C0) 4.4° 6901
2.0	0.31	E(0°) 3415 E(C0) 4.4° 1725
3.0	0.46	E(0°) 1518 E(C0) 4.4° 767
4.0	0.62	E(0°) 854 E(C0) 4.4° 431
5.0	0.77	E(0°) 546 E(C0) 4.4° 276

Half-value Angle 8,8°

## 24° Reflector

Polar Candela Distribution

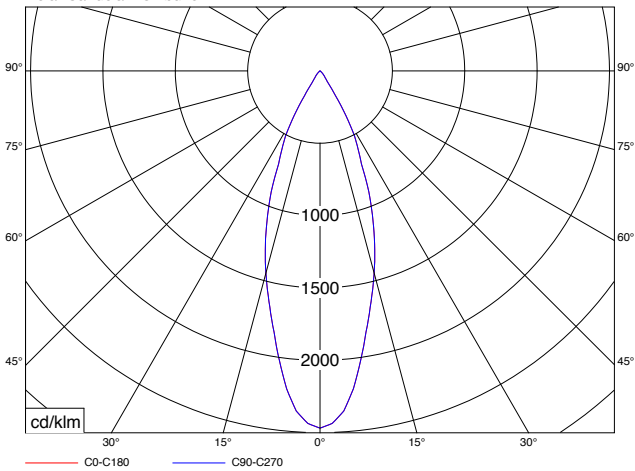


Distance [m]	Cone Diameter [m]	E [lx]
1.0	0.37	E(0°) 4195 E(C0) 10.6° 2069
2.0	0.75	E(0°) 1049 E(C0) 10.6° 517
3.0	1.12	E(0°) 466 E(C0) 10.6° 230
4.0	1.50	E(0°) 282 E(C0) 10.6° 129
5.0	1.87	E(0°) 168 E(C0) 10.6° 83

Half-value Angle 8,8°

## 36° Reflector

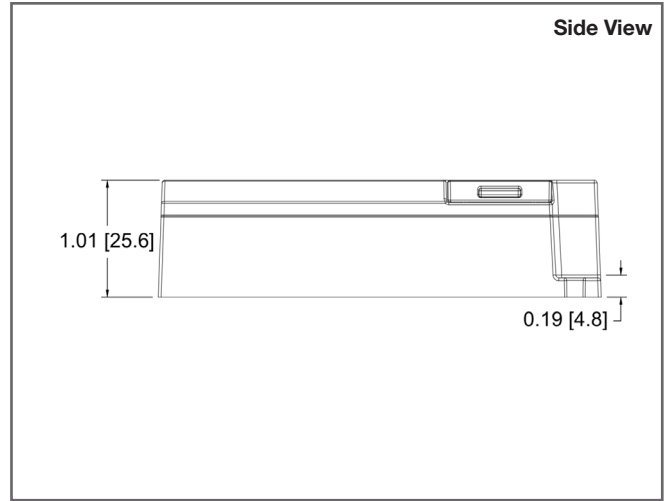
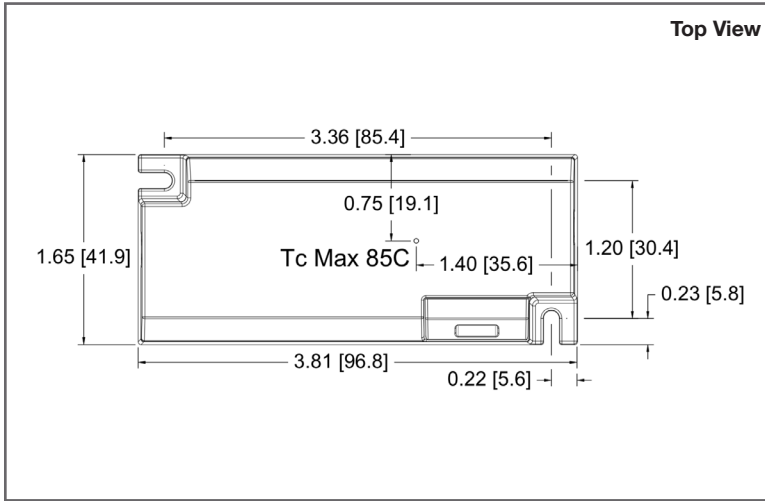
Polar Candela Distribution



Distance [m]	Cone Diameter [m]	E [lx]
1.0	0.64	E(0°) 2330 E(C0) 17.7° 1115
2.0	1.28	E(0°) 582 E(C0) 17.7° 279
3.0	1.91	E(0°) 259 E(C0) 17.7° 124
4.0	2.55	E(0°) 146 E(C0) 17.7° 70
5.0	3.19	E(0°) 93 E(C0) 17.7° 45

Half-value Angle 8,8°

# Driver Technical Specifications



Driver Manufacturer	<b>Hatch</b>	
Input Voltage (VAC)	120-277V (+/-10%)	
Frequency Range	50-60 Hz	
	<b>120V</b>	<b>277V</b>
Input Current (A)	0.16	0.17
THD @ Full Load	<10%	<10%
Power Factor @ Full Load	>0.95	>0.95
Efficiency @ Full Load	>80%	>80%
Inrush Current (Apk)	0.58	1.18
Maximum Output Power (W)	16W	16W
LED Power Up Time	<500ms	<500ms
Load Regulation	<3%	<3%
Line Regulation (Max Load)	<3%	<3%
Over Voltage Protection	Yes, Auto Recovery	Yes, Auto Recovery
Over Load Protection	Yes, Auto Recovery	Yes, Auto Recovery
Output Short-Circuit Protection	Yes	Yes
Over Temperature Protection	Yes	Yes
Dimming Control	Leading & Trailing Edge @120V	
Dimming Range	Dims to 0%	