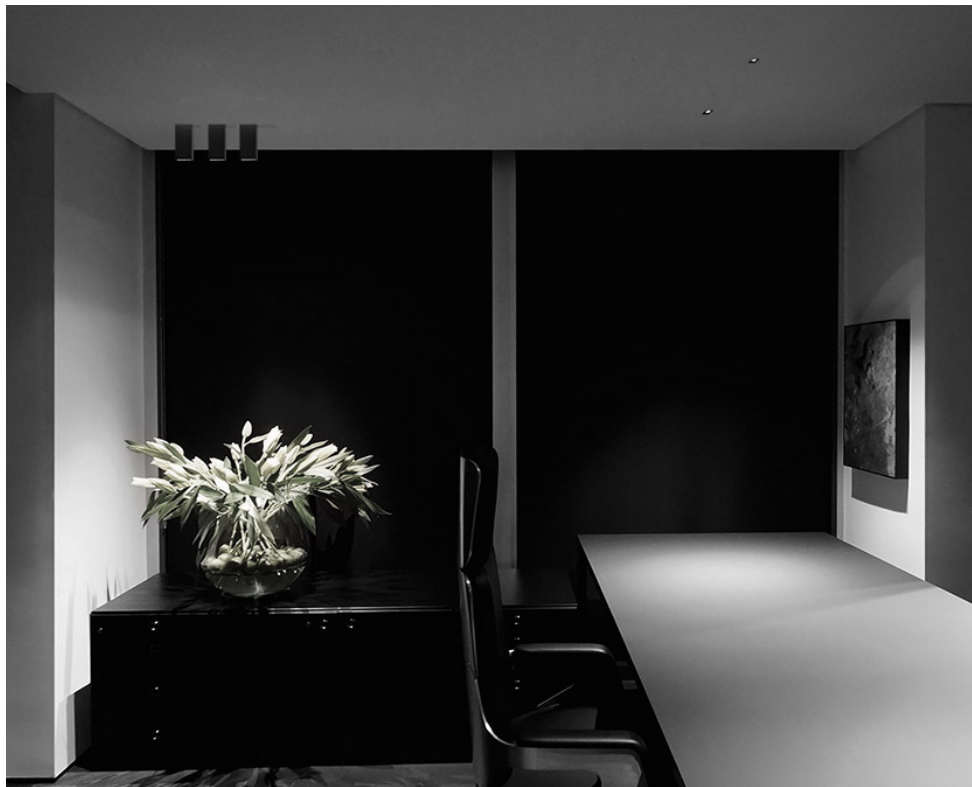


## ARTUS Minimal Surface Mounted

### Quick Facts

- Remote Powered, Class 2 Fixture
- 12W Cree LED
- Available in Warm White (2700K) and Soft White (3000K)
- 2-step SDCM ellipse for accurate color consistency between fixtures
- Full dimming range via remote power supply
- Visible Dimensions - 105mm x 55mm x 55mm (4-1/8" x 2-3/16" x 2-3/16")
- Suitable for installation in drywall, wood, and stone ceilings
- Suitable for dry and damp locations
- Designed by Studio F·A·Porsche
- Engineered and made in Germany



### Description

The quintessential ARTUS design embraces the minimalist design principles that Apure is known for, enabling the harmonious integration of decorative lighting into any given space. Illustrated to size, the graphic, cubistic 55 mm x 55 mm (2 3/16" x 2 3/16") design incorporates next era technology, while remaining true to the structural DNA of the Studio F·A·Porsche.

### Construction

- Extruded aluminum fixture body, featuring Apure's signature louver designed by Studio F·A·Porsche
- 50,000 hours LED lifetime
- Approximate fixture weight: 720g (1.58lbs)
- Operating Temperature: 10°C to 50°C

### Fixture Size

- Visible Dimensions: 105mm x 55 mm x 55 mm (4-1/8" x 2-3/16" x 2-3/16")
- Recess Depth: N/A - junction box not required

### Light Output

- High performance Cree LED, available in various color temperatures
- 2-step SDCM ellipse
- Color rendering index (CRI) min. 90
- Integral microprocessor controlled thermal protection

### Electrical Specifications

- Class 2 Fixture
- 24V DC Input
- 12W Power Consumption
- 100W 24V DC Power Supply Required (powers up to 4 fixtures)
- Magnetic Low Voltage (MLV) Dimming (or) 3-Wire Lutron Hi-Lume Premier 0.1% dimming protocol
- Recommended wire, min. 16 AWG plenum rated (CMP) up to 150ft from remote transformer

### Installation Types

- Can be mounted directly to most ceiling surfaces using anchors or screws (not provided)
- Features Apure's magnetic installation bracket system for tool free luminaire servicing

### Listings

- UL Listed, CE Conform
- Suitable for dry and damp locations

### Resources / Installation Videos

Scan QR Code or visit at [apurelighting.com/resources/](http://apurelighting.com/resources/)



Resources



Videos



## ORDERING INFORMATION

### SERIES

- AR - Artus Series

### MODEL

- 1 - Artus

### TYPE

- 1 - LED

### ORIENTATION

- F - Fixed

### FIXTURE FINISH

- BA - Black Anodized  
 WH - White Powder Coat

### TEMPERATURE (CCT)

- 27 - Warm White (2700K)  
 30 - Soft White (3000K)

### COLOR RENDERING INDEX

- 90 - ≥90

### OPTICS (DEGREE)

- S - Spot (14°)  
 N - Flood (32°)  
 F - Wide Flood (55°)

### DIMMING PROTOCOL

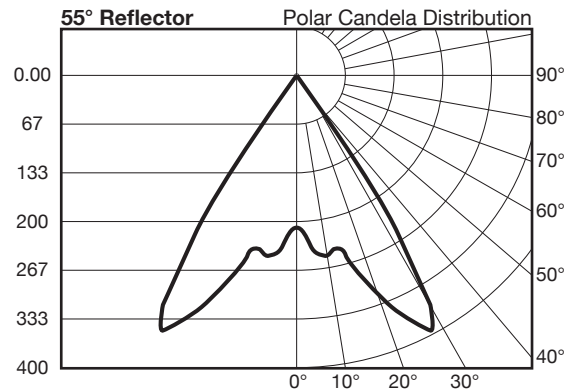
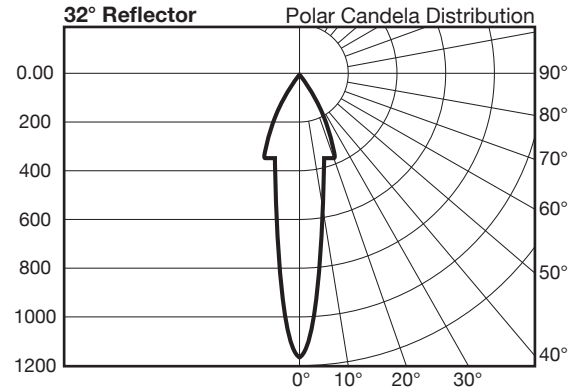
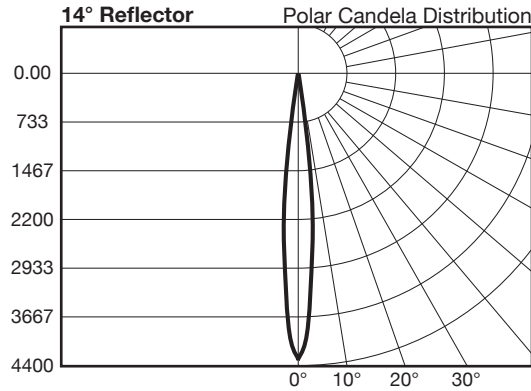
- A - Magnetic Low Voltage (MLV) (24V)\*  
 L - Lutron 3-Wire Hi-Lume 0.1% (24V)\*  
 EU - 0-10V / DALI / Phase Dim (12V)\*

\*remote powered fixture, power supply required

### ORDERING EXAMPLE

AR11FBA3090FA

## LED Photometrics



**Remote Power Supply for MLV Variant - [A]**  
 Magnitude Power Supply (96W 24VDC)  
 Lumiron Power Supply (96W 24VDC)

**Part Number**  
 AA3096M  
 AA3100L

**Input Voltage**  
 120Vac  
 120Vac

**Listings**  
 ETL  
 ETL

**Remote Power Supply for Lutron Variant - [L]**  
 Lutron 3-wire Hi-Lume Premier Eco Driver  
 Lutron 3-wire HomeWorks Digital Control

**Part Number**  
 L3D0-96W24V-U  
 LHD0-96W24V-U

**Input Voltage**  
 120-277V  
 120-277V

**Listings**  
 UL  
 UL

**Remote Power Supply for EU Variant - [EU]**  
 Magnitude AFLEX Power Supply (1000mA 60W)\*  
 Magnitude AFLEX JBZN Series (1000mA 60W)\*\*  
 Apure Phase Dimmable (1000mA 29W)  
 Apure Phase Dimmable (1000mA 30-65W)  
 Apure DALI, Push, 1-10V (1000mA 30-65W)\*

**Part Number**  
 AA3010M  
 AA3010MJBXX  
 AA32202DEU  
 AA32205DEU  
 AA3DALIDEU

**Input Voltage**  
 120-277Vac  
 120-277Vac  
 220-240Vac  
 220-240Vac  
 110-240Vac

**Listings**  
 UL Listed  
 UL Listed  
 CE  
 CE  
 CE

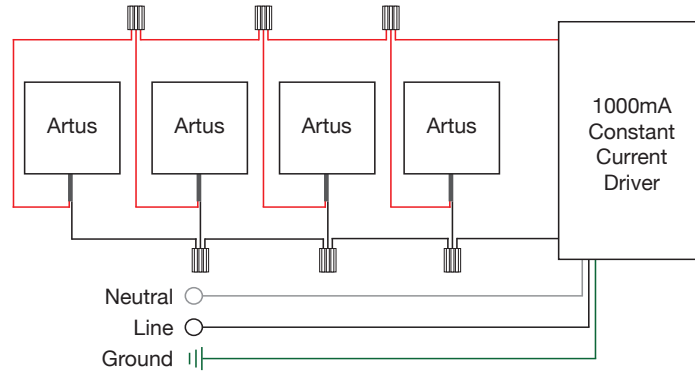
\*Driver enclosure required where applicable.

\*\*Refer to reseller for more information.

### Custom Installation Types

- Observe and follow all local and national installation codes for all installation types.
- Test and make sure that all fixtures are working properly before any mudding, painting or finishing occurs!
- Read and adhere to all instructions supplied with each power supply and fixture.
- Follow all instructions supplied by power supply / driver manufacturer!

## Wiring Diagram for 12V Artus Products - [EU]



**Fixture Leads**  
Red (+)  
Black (-)

*Warning: failure to wire correctly may cause fixture to fail.*

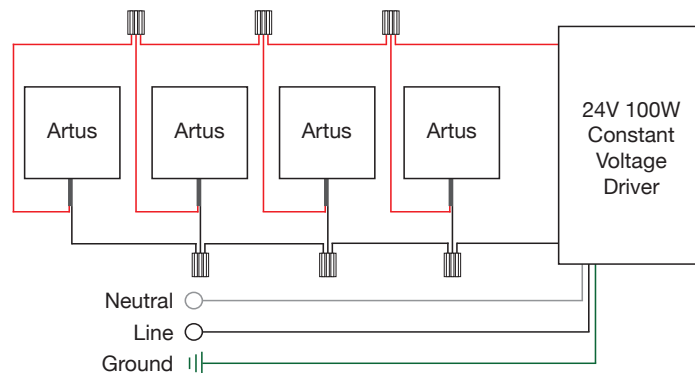
### Additional Considerations

The above wiring diagram applies only to 12V Artus products with product ordering codes ending with “EU”  
The diagram above shows the typical wiring schematic, however the total number of fixtures per driver is driver specific.

- |   |           |                    |
|---|-----------|--------------------|
| • Magnitude AFLEX Power Supply (1000mA 60W) | 1-4 Artus | 16AWG - 82ft (25m) |
| • Apure Phase Dimmable (1000mA 29W)         | 1-2 Artus | 16AWG - 82ft (25m) |
| • Apure Phase Dimmable (1000mA 30-65W)      | 3-5 Artus | 16AWG - 82ft (25m) |
| • Apure DALI, Push, 1-10V (1000mA 30-65W)   | 1-4 Artus | 16AWG - 82ft (25m) |

**WARNING:** The power supply must operate within the range of minimum to maximum fixtures. Operation with less or more fixtures from the specified amount will result in damage to the power supply and/or lighting fixture. Incorrectly wiring the 12V EU lighting fixture may cause luminaire to fail.

## Wiring Diagram for 24V Artus Products - [A] MLV or [L] Lutron



**Fixture Leads**  
Red (+)  
Black (-)

### Additional Considerations

The above wiring diagram applies only to 24V Artus products with product ordering codes ending with “A” or “L”  
The diagram above shows the typical wiring schematic, however the total number of fixtures per driver is driver specific.

- |  |           |                      |
|--|-----------|----------------------|
| • Magnitude Constant Voltage Driver (96W 24VDC)        | 1-4 Artus | ≤16AWG - 150ft (45m) |
| • Lutron Hi-Lume Constant Voltage Driver (96W 24VDC)   | 1-4 Artus | ≤16AWG - 150ft (45m) |
| • Lutron HomeWorks Constant Voltage Driver (96W 24VDC) | 1-4 Artus | ≤16AWG - 150ft (45m) |

**WARNING:** The power supply must operate within the range of minimum to maximum fixtures. Operation with less or more fixtures from the specified amount will result in damage to the power supply and/or lighting fixture.