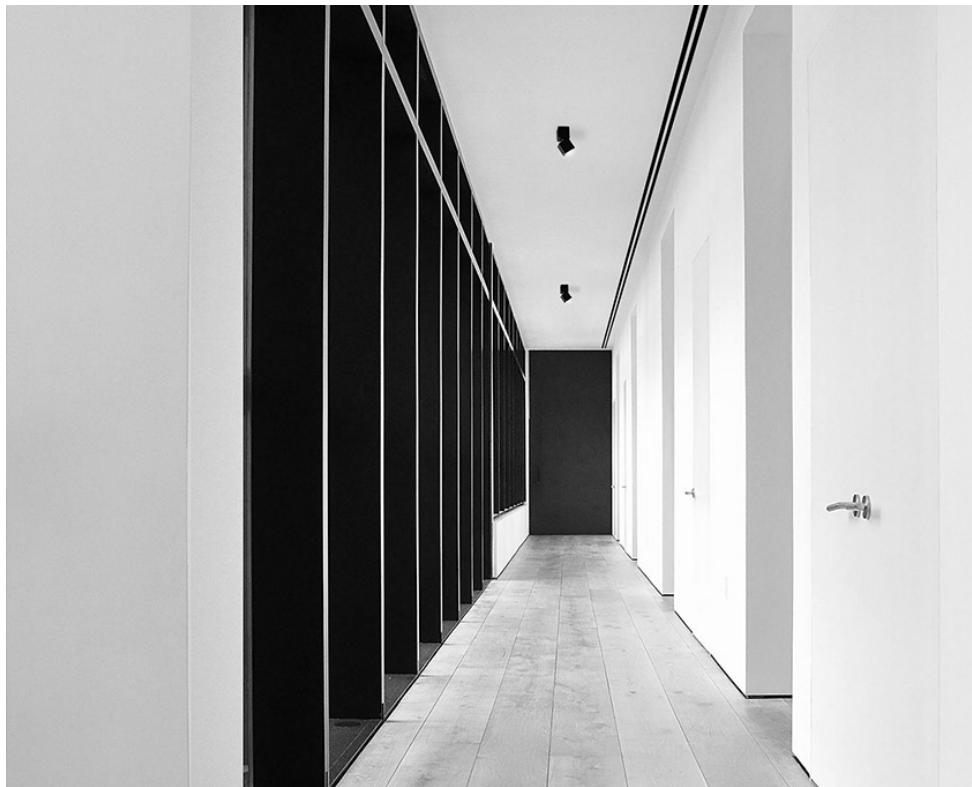


ARTUS LAC Multi-Directional Sufaced Mounted

Quick Facts

- Remote Powered, Class 2 Fixture
- 12W Cree LED
- Available in Warm White (2700K) and Soft White (3000K)
- 2-step SDCM ellipse for accurate color consistency between fixtures
- Full dimming range via remote power supply
- Visible Dimensions - 105mm x 55mm x 55mm (4-1/8" x 2-3/16" x 2-3/16")
- Suitable for installation in drywall, wood, and stone ceilings
- Suitable for dry and damp locations
- Designed by Studio F·A·Porsche
- Engineered and made in Germany



Description

Purposefully designed to illuminate artworks and architectural spaces in which recess lighting is not a viable option and various beam spreads are requested, the ARTUS LAC by Apure is the most flexible, minimalist, and high performance architectural lighting available. Almost invisible in design and featuring a rotation of 360 degrees, with angles of up to 60 degrees, the true to size 55 mm x 110 mm (2 3/16" x 4 3/8") luminaire projects precise beams of ambient light.

Construction

- Extruded aluminum fixture body, featuring Apure’s signature louver designed by Studio F-A-Porsche
- 50,000 hours LED lifetime
- Approximate fixture weight: 720g (1.58lbs)
- Operating Temperature: 10°C to 50°C

Fixture Size

- Visible Dimensions: 105mm x 55 mm x 55 mm (4-1/8" x 2-3/16" x 2-3/16")
- Recess Depth: N/A - junction box not required

Light Output

- High performance Cree LED, available in various color temperatures
- 2-step SDCM ellipse
- Color rendering index (CRI) min. 90
- Integral microprocessor controlled thermal protection

Electrical Specifications

- Class 2 Fixture
- 24V DC Input
- 12W Power Consumption
- 100W 24V DC Power Supply Required (powers up to 4 fixtures)
- Magnetic Low Voltage (MLV) Dimming (or) 3-Wire Lutron Hi-Lume Premier 0.1% dimming protocol
- Recommended wire, min. 16 AWG plenum rated (CMP) up to 150ft from remote transformer

Installation Types

- Can be mounted directly to most ceiling surfaces using anchors or screws (not provided)
- Features Apure’s magnetic installation bracket system for tool free luminaire servicing

Listings

- UL Listed, CE Conform
- Suitable for dry and damp locations

Resources

Scan QR Code or visit at apurelighting.com/resources/



Resources



Videos



ORDERING INFORMATION

SERIES

- AR - Artus Series

MODEL

- 2 - Artus Lac

TYPE

- 1 - LED

ORIENTATION

- M - Multi-Directional

FIXTURE FINISH

- BA - Black Anodized
- WH - White Powder Coat

TEMPERATURE (CCT)

- 27 - Warm White (2700K)
- 30 - Soft White (3000K)

COLOR RENDERING INDEX

- 90 - ≥90

OPTICS (DEGREE)

- S - Spot (14°)
- N - Flood (32°)
- F - Wide Flood (55°)

DIMMING PROTOCOL

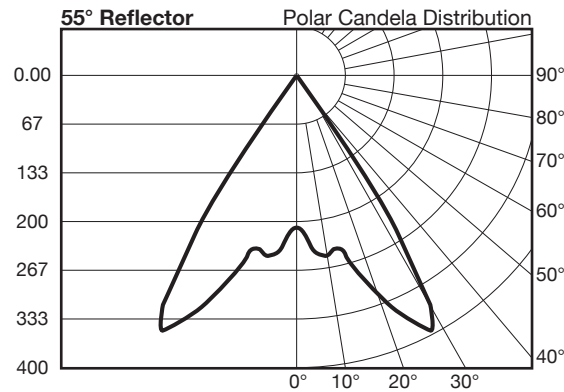
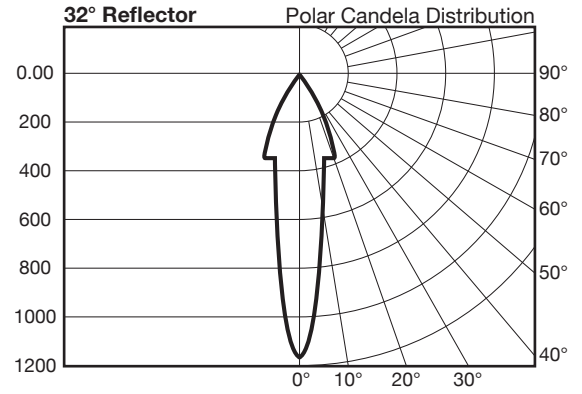
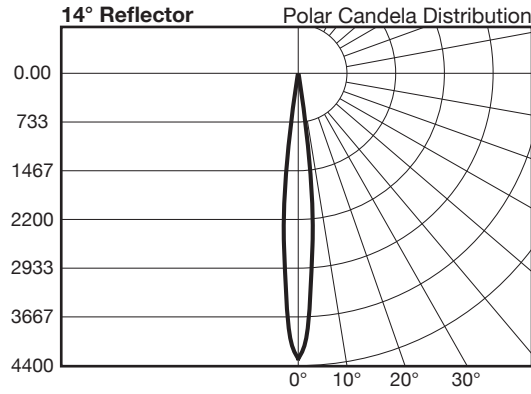
- A - Magnetic Low Voltage (MLV) (24V)*
- L - Lutron 3-Wire Hi-Lume 0.1% (24V)*
- EU - 0-10V / DALI / Phase Dim (12V)*

*remote powered fixture, power supply required

ORDERING EXAMPLE

AR21MBA3090FA

LED Photometrics



Remote Power Supply for MLV Variant - [A]
 Magnitude Power Supply (96W 24VDC)
 Lumiron Power Supply (96W 24VDC)

Part Number
 AA3096M
 AA3100L

Input Voltage
 120Vac
 120Vac

Listings
 ETL
 ETL

Remote Power Supply for Lutron Variant - [L]
 Lutron 3-wire Hi-Lume Premier Eco Driver
 Lutron 3-wire HomeWorks Digital Control

Part Number
 L3D0-96W24V-U
 LHD0-96W24V-U

Input Voltage
 120-277V
 120-277V

Listings
 UL
 UL

Remote Power Supply for EU Variant - [EU]
 Magnitude AFLEX Power Supply (1000mA 60W)*
 Magnitude AFLEX JBZN Series (1000mA 60W)**
 Apure Phase Dimmable (1000mA 29W)
 Apure Phase Dimmable (1000mA 30-65W)
 Apure DALI, Push, 1-10V (1000mA 30-65W)*

Part Number
 AA3010M
 AA3010MJBXX
 AA32202DEU
 AA32205DEU
 AA3DALIDEU

Input Voltage
 120-277Vac
 120-277Vac
 220-240Vac
 220-240Vac
 110-240Vac

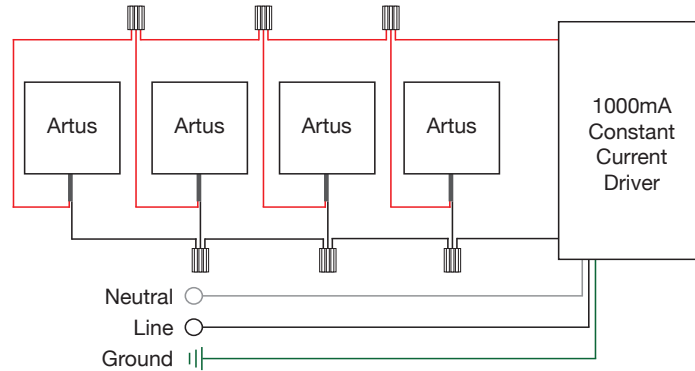
Listings
 UL Listed
 UL Listed
 CE
 CE
 CE

*Driver enclosure required where applicable.
 **Refer to reseller for more information.

Custom Installation Types

- Observe and follow all local and national installation codes for all installation types.
- Test and make sure that all fixtures are working properly before any mudding, painting or finishing occurs!
- Read and adhere to all instructions supplied with each power supply and fixture.
- Follow all instructions supplied by power supply / driver manufacturer!

Wiring Diagram for Constant Current Artus products - [EU]



Fixture Leads
Red (+)
Black (-)

Warning: failure to wire correctly may cause fixture to fail.

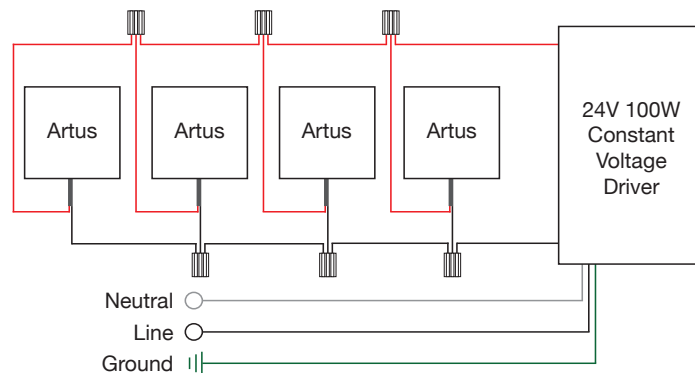
Additional Considerations

The above wiring diagram applies only to Constant Current Artus products with product ordering codes ending with "EU". The diagram above shows the typical wiring schematic, however the total number of fixtures per driver is driver specific.

- | | | |
|---|-----------|--------------------|
| • Magnitude AFLEX Power Supply (1000mA 60W) | 1-4 Artus | 16AWG - 82ft (25m) |
| • Apure Phase Dimmable (1000mA 29W) | 1-2 Artus | 16AWG - 82ft (25m) |
| • Apure Phase Dimmable (1000mA 30-65W) | 3-5 Artus | 16AWG - 82ft (25m) |
| • Apure DALI, Push, 1-10V (1000mA 30-65W) | 1-4 Artus | 16AWG - 82ft (25m) |

WARNING: The power supply must operate within the range of minimum to maximum fixtures. Operation with less or more fixtures from the specified amount will result in damage to the power supply and/or lighting fixture. Incorrectly wiring the Constant Current lighting fixture may cause luminaire to fail.

Wiring Diagram for 24V Artus Products - [A] MLV or [L] Lutron



Fixture Leads
Red (+)
Black (-)

Additional Considerations

The above wiring diagram applies only to 24V Artus products with product ordering codes ending with "A" or "L". The diagram above shows the typical wiring schematic, however the total number of fixtures per driver is driver specific.

- | | | |
|--|-----------|----------------------|
| • Magnitude Constant Voltage Driver (96W 24VDC) | 1-4 Artus | ≤16AWG - 150ft (45m) |
| • Lutron Hi-Lume Constant Voltage Driver (96W 24VDC) | 1-4 Artus | ≤16AWG - 150ft (45m) |
| • Lutron HomeWorks Constant Voltage Driver (96W 24VDC) | 1-4 Artus | ≤16AWG - 150ft (45m) |

WARNING: The power supply must operate within the range of minimum to maximum fixtures. Operation with less or more fixtures from the specified amount will result in damage to the power supply and/or lighting fixture.