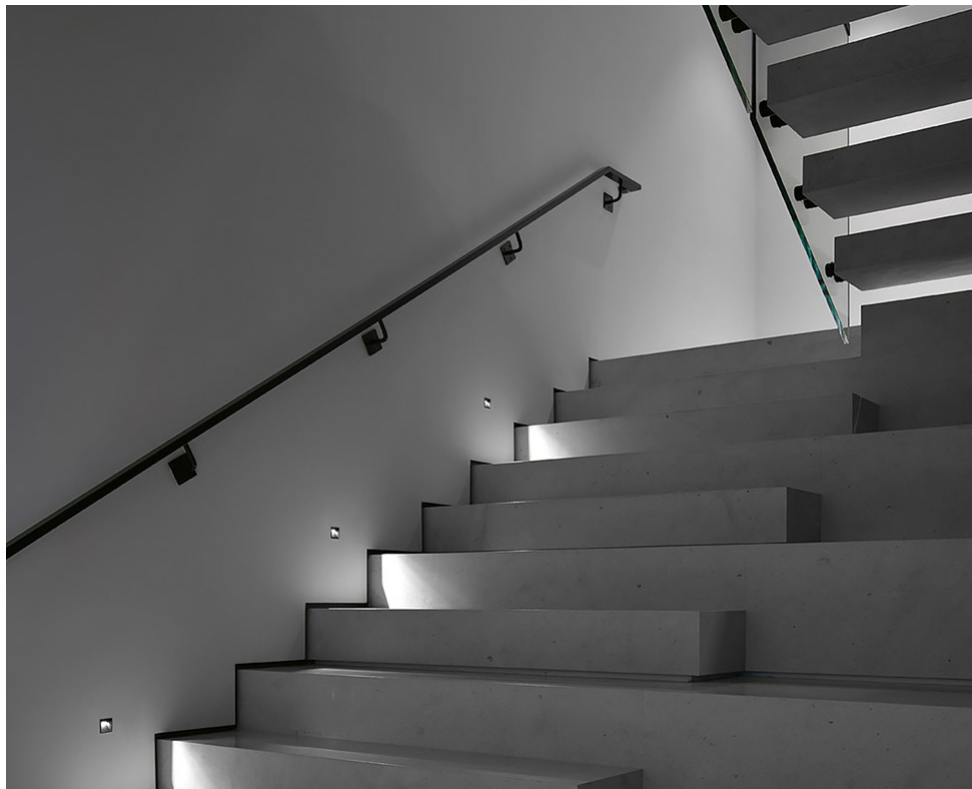


## MINUS FIVE Minimal Recessed

### Quick Facts

- Class 2 Fixture, Remote Powered up to 45m (150ft) max
- Minimal fixture aperture - 25mm (1")
- 19mm (3/4") recess depth required
- 12W Cree LED
- Up to 1000lm from source (IES files available upon request)
- Available in Warm White (2700K), Soft White (3000K)
- Color Rendering Index  $\geq 90$
- 2-step SDCM ellipse for accurate color consistency between fixtures
- Full dimming range via remote power supply
- Suitable for installation in drywall, wood, and stone walls
- Suitable for dry and damp locations
- Type IC Rated
- Patented Product
- Engineered and made in Germany



### Description

The MINUS FIVE by Apure delivers the highest performance in its class. With an overall visible size of less than 25 mm (1"), the minimalist, high-tech recessed lighting fixture integrates virtually invisibly into any given architecture. Designed to be installed below eye level, the MINUS 5 illuminates staircases, corridors, and walkways with discreet, yet intriguing, flair.

### Construction

- Extruded aluminum fixture body, featuring Apure's signature louver designed by Studio F·A·Porsche
- 50,000 hours LED lifetime
- Approximate fixture weight: 720g (1.58lbs)
- Operating Temperature: 10°C to 50°C

### Fixture Size

- Visible Aperture: 25mm x 25mm (1" x 1")
- Recess Depth: 19mm (3/4")
- Heat Sink: 120mm x 120mm (4 - 3/4" x 4 - 3/4")

### Light Output

- High performance Cree LED, available in various color temperatures
- 1000lm source light output
- 2-step SDCM ellipse
- Color rendering index (CRI) min. 90
- Integral microprocessor controlled thermal protection

### Electrical Specifications

24V DC Input (Class 2, 12W Power Consumption)

- 96W 24V DC Power Supply Required (powers up to 4 fixtures)
- Magnetic Low Voltage (MLV) Dimming (or) 3-Wire Lutron Hi-Lume dimming protocols
- Recommended wire, min. 16 AWG plenum rated (CMP, when required) up to 150ft from remote transformer

12V DC Input (Class 2, 12W Power Consumption)

- Remote 1000mA Constant Current Driver Required
- 0-10V 0.1% Dimming (or) 1-10V/Push/DALI (or) Phase Dimming drivers available
- Recommended wire, min. 16 AWG plenum rated (CMP, when required) up to 82ft from remote transformer

### Installation Types

- Drywall installation for new construction and retrofit installations possible with the Universal Drywall Bracket, available for various drywall thicknesses.
- Custom installations for wood, metal and stone walls. Requires shop drawings available per request by Apure.
- The Minus series is not suitable for installation within steam rooms or saunas!

### Listings

- UL Listed, CE Conform, Type IC Rated
- Suitable for dry and damp locations

### Resources

Scan QR Code or visit at [apurelighting.com/resources/](http://apurelighting.com/resources/)



Resources

## ORDERING INFORMATION

### SERIES

- AM - Minus Series

### MODEL

- 5 - Minus Five

### TYPE

- 1 - LED

### ORIENTATION

- F - Fixed

### TEMPERATURE (CCT)

- 27 - Warm White (2700K)  
 30 - Soft White (3000K)

### COLOR RENDERING INDEX

- 90 - ≥90

### LOUVER

- BA - Black

### DIMMING PROTOCOL

- A - Magnetic Low Voltage (MLV) (24V)\*  
 L - Lutron 3-Wire Hi-Lume 0.1% (24V)\*  
 EU - 0-10V / DALI / Phase Dim (12V)\*

\*remote powered fixture, power supply required

### ORDERING EXAMPLE

AM51F3090BAA

**Drywall Accessories**

	<b>Part Number</b>	<b>Thickness</b>	<b>Requirement</b>
Universal Drywall Bracket	AM1BRKU10	10mm	Drywall Installations
Universal Drywall Bracket	AM1BRKU12	12.5mm	Drywall Installations
Universal Drywall Bracket	AM1BRKU15	15mm	Drywall Installations
Universal Drywall Bracket - (US Standard)	AM1BRKU18	18mm	Drywall Installations

**Remote Power Supply for MLV Variant - [A]**

	<b>Part Number</b>	<b>Input Voltage</b>	<b>Listings</b>
Magnitude Power Supply (96W 24VDC)	AA3096M	120Vac	ETL
Lumiron Power Supply (96W 24VDC)	AA3100L	120Vac	ETL

**Remote Power Supply for Lutron Variant - [L]**

	<b>Part Number</b>	<b>Input Voltage</b>	<b>Listings</b>
Lutron 3-wire Hi-Lume Premier Eco Driver	L3D0-96W24V-U	120-277V	UL
Lutron 3-wire HomeWorks Digital Control	LHD0-96W24V-U	120-277V	UL

**Remote Power Supply for EU Variant - [EU]**

	<b>Part Number</b>	<b>Input Voltage</b>	<b>Listings</b>
Magnitude AFLEX Power Supply (1000mA 60W)*	AA3010M	120-277Vac	UL Listed
Magnitude AFLEX JBZN Series (1000mA 60W)**	AA3010MJBXX	120-277Vac	UL Listed
Apure Phase Dimmable (1000mA 29W)	AA32202DEU	220-240Vac	CE
Apure Phase Dimmable (1000mA 30-65W)	AA32205DEU	220-240Vac	CE
Apure DALI, Push, 1-10V (1000mA 30-65W)*	AA3DALIDEU	110-240Vac	CE

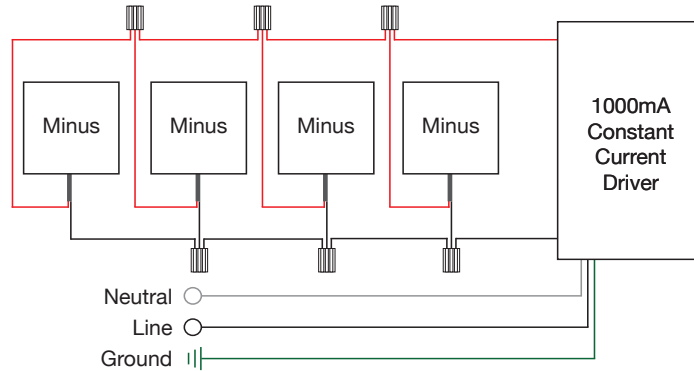
\*Driver enclosure required where applicable.

\*\*Refer to reseller for more information.

**Custom Installation Types**

- The universal bracket (AM5BRKUXX) is intended only for drywall installations.
- Custom wall integrations are accomplished through custom fabrication of materials by others. Please note, not all materials are suitable for installation. However, Apure will make every effort to accommodate custom integrations. Please contact your authorized Minus reseller for more information regarding custom ceiling integrations.
- Observe and follow all local and national installation codes for all installation types.
- Test and make sure that all fixtures are working properly before any mudding, painting or finishing occurs!
- Read and adhere to all instructions supplied with each power supply and fixture.
- Follow all instructions supplied by power supply / driver manufacturer!

## Wiring Diagram for 12V Minus Products - [EU]



Fixture Leads  
Red (+)  
Black (-)

*Warning: failure to wire correctly may cause fixture to fail.*

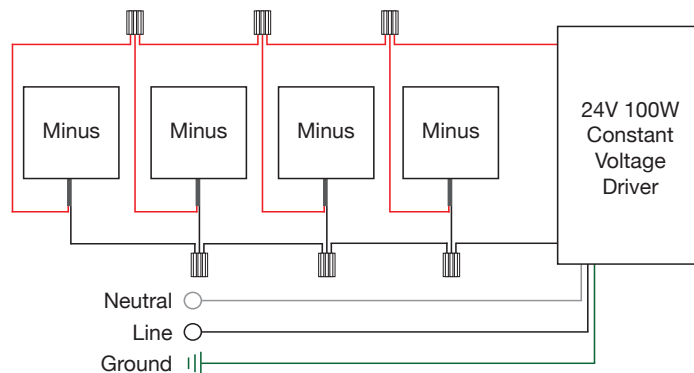
### Additional Considerations

The above wiring diagram applies only to 12V Minus products with product ordering codes ending with "EU". The diagram above shows the typical wiring schematic, however the total number of fixtures per driver is driver specific.

- |   |           |                    |
|---|-----------|--------------------|
| • Magnitude AFLEX Power Supply (1000mA 60W) | 1-4 Minus | 16AWG - 82ft (25m) |
| • Apure Phase Dimmable (1000mA 29W)         | 1-2 Minus | 16AWG - 82ft (25m) |
| • Apure Phase Dimmable (1000mA 30-65W)      | 3-5 Minus | 16AWG - 82ft (25m) |
| • Apure DALI, Push, 1-10V (1000mA 30-65W)   | 1-4 Minus | 16AWG - 82ft (25m) |

**WARNING:** The power supply must operate within the range of minimum to maximum fixtures. Operation with less or more fixtures from the specified amount will result in damage to the power supply and/or lighting fixture. Incorrectly wiring the 12V EU lighting fixture may cause luminaire to fail.

## Wiring Diagram for 24V Minus Products - [A] MLV or [L] Lutron



Fixture Leads  
Red (+)  
Black (-)

### Additional Considerations

The above wiring diagram applies only to 24V Minus products with product ordering codes ending with "A" or "L". The diagram above shows the typical wiring schematic, however the total number of fixtures per driver is driver specific.

- |  |           |                      |
|--|-----------|----------------------|
| • Magnitude Constant Voltage Driver (96W 24VDC)        | 1-4 Minus | ≤16AWG - 150ft (45m) |
| • Lutron Hi-Lume Constant Voltage Driver (96W 24VDC)   | 1-4 Minus | ≤16AWG - 150ft (45m) |
| • Lutron HomeWorks Constant Voltage Driver (96W 24VDC) | 1-4 Minus | ≤16AWG - 150ft (45m) |

**WARNING:** The power supply must operate within the range of minimum to maximum fixtures. Operation with less or more fixtures from the specified amount will result in damage to the power supply and/or lighting fixture.