

MINUS FOUR Minimal Recessed
JA8/Title 24

Quick Facts

- Class 2 Fixture, Remote Powered up to 25m (82ft) max
- Minimal fixture aperture - 55mm (2 - 3/16")
- 19mm (3/4") recess depth required
- 12W Cree LED
- Up to 1000lm from source (IES files available upon request)
- Available in Warm White (2700K), Soft White (3000K)
- Color Rendering Index ≥ 90
- 2-step SDCM ellipse for accurate color consistency between fixtures
- Full dimming range via remote power supply
- Suitable for installation in drywall, wood, and stone ceilings
- Suitable for dry and damp locations
- Type IC Rated, Plenum Rated, Airtight Rated
- Patented Product
- Engineered and made in Germany



Description

The MINUS FOUR by Apure features a powerful reflector with 3 beam spreads, to accommodate the specialized requirements of architects and lighting designers. While in-keeping with the advanced technology and minimal depth of the entire MINUS Series, the visible 55 mm (2 3/16") Louver encompasses lenses and glare preventers, which produce uniquely flexible and extremely shallow, yet sophisticated, downlight illumination.

Construction

- Extruded aluminum fixture body, featuring Apure's signature louver designed by Studio F·A·Porsche
- 50,000 hours LED lifetime
- Approximate fixture weight: 720g (1.58lbs)
- Operating Temperature: 10°C to 50°C

Fixture Size

- Visible Aperture: 25mm x 25mm (1" x 1")
- Recess Depth: 19mm (3/4")
- Heat Sink: 120mm x 120mm (4 - 3/4" x 4 - 3/4")

Light Output

- High performance Cree LED, available in various color temperatures
- 1000lm source light output
- 2-step SDCM ellipse
- Color rendering index (CRI) min. 90
- Integral microprocessor controlled thermal protection

Electrical Specifications

- 12V DC Input (Class 2, 12W Power Consumption)
- Remote 1000mA Constant Current Driver Required
- 0-10V 0.1% Dimming (or) Phase Dimming drivers available
- Recommended wire, min. 16 AWG plenum rated (CMP, when required) up to 82ft from remote transformer

Installation Types

- Drywall installation for new construction and retrofit installations possible with the Universal Drywall Bracket, available for various drywall thicknesses.
- Custom installations for wood, metal and stone ceilings. Requires shop drawings available per request by Apure.
- The Minus series is not suitable for installation within steam rooms or saunas!

Listings

- UL Listed, CE Conform
- Type IC Rated, Plenum Rated, Airtight Rated
- JA8/Title 24
- Suitable for dry location

Resources / Installation Videos

Scan QR Code or visit at apurelighting.com/resources/



Resources



Videos



ORDERING INFORMATION

SERIES

- AM - Minus Series

MODEL

- 4 - Minus Four

TYPE

- 1 - LED

ORIENTATION

- F - Fixed

TEMPERATURE (CCT)

- 27 - Warm White (2700K)
 30 - Soft White (3000K)

COLOR RENDERING INDEX

- 90 - ≥90

VARIANT

- T24 - Title 24

DIMMING PROTOCOL

- EU - 0-10V (12V, Constant Current 1000mA)*

*remote powered fixture, power supply required

ORDERING EXAMPLE

AM41F3090T24EU

Drywall Accessories	Part Number	Thickness	Requirement
Universal Drywall Bracket	AM4BRKU10	10mm	Drywall Installations
Universal Drywall Bracket	AM4BRKU12	12.5mm	Drywall Installations
Universal Drywall Bracket - (US Standard)	AM4BRKU15	15mm	Drywall Installations
Universal Drywall Bracket	AM4BRKU18	18mm	Drywall Installations

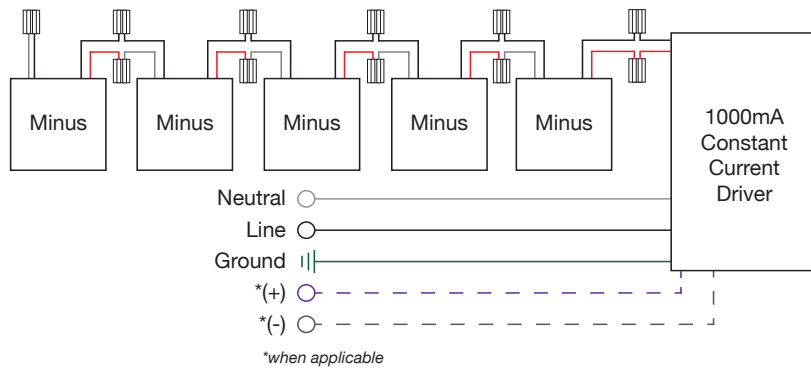
Remote Power Supply for EU Variant - [EU]	Part Number	Input Voltage	Listings
Magnitude AFLEX Power Supply (1000mA 60W)*	AA3010M	120-277Vac	UL Listed
Magnitude AFLEX JBZN Series (1000mA 60W)**	AA3010MJBXX	120-277Vac	UL Listed

*Driver enclosure required where applicable.
 **Refer to reseller for more information.

Custom Installation Types

- The universal bracket (AM4BRKUXX) is intended only for drywall installations.
- System ceilings, stone, wood and metal ceiling integrations are accomplished through custom fabrication by others. Please note, not all materials are suitable for installation. However, Apure will make every effort to accommodate custom integrations. Please contact your authorized Minus reseller for more information regarding custom ceiling integrations.
- Fixtures must have a minimum clearance of 6 inches (15cm) **below or horizontally** from the light source at all times!
- Observe and follow all local and national installation codes for all installation types.
- Test and make sure that all fixtures are working properly before any mudding, painting or finishing occurs!
- Read and adhere to all instructions supplied with each power supply and fixture.
- Follow all instructions supplied by power supply / driver manufacturer!

Wiring Diagram for Constant Current Minus products - [EU]



Fixture Leads In
 Red with Red (+)
 Black with Black (-)

Fixture Leads Out
 Black with Black
 White with Red

Warning: failure to wire correctly may cause fixture to fail.

Note: The white and black cables of the last fixture in the series must be bridged together!

Additional Considerations

The above wiring diagram applies only to Constant Current Minus products with product ordering codes ending with "EU". The diagram above shows the typical wiring schematic, however the total number of fixtures per driver is driver specific.

- Magnitude AFLEX Power Supply (1000mA 60W) 1-4 Minus 14AWG - 82ft (25m)

WARNING: The power supply must operate within the range of minimum to maximum fixtures. Operation with less or more fixtures from the specified amount will result in damage to the power supply and/or lighting fixture. Incorrectly wiring the Constant Current lighting fixture may cause luminaire to fail.