

**ARTUS** Minimal Surface Mounted  
JA8/Title 24

**Quick Facts**

- Remote Powered, Class 2 Fixture
- 12W Cree LED
- Available in Warm White (2700K) and Soft White (3000K)
- 2-step SDCM ellipse for accurate color consistency between fixtures
- Up to 1000lm from source (IES files available upon request)
- Full dimming range via remote power supply
- Visible Dimensions - 105mm x 55 mm x 55 mm (4-1/8" x 2-3/16" x 2-3/16")
- Suitable for installation in drywall, wood, and stone ceilings
- Suitable for dry locations
- Designed by Studio F·A·Porsche
- Engineered and made in Germany
- UL Listed



### Description

The quintessential ARTUS design embraces the minimalist design principles that Apure is known for, enabling the harmonious integration of decorative lighting into any given space. Illustrated to size, the graphic, cubistic 55 mm x 55 mm (2 3/16" x 2 3/16") design incorporates next era technology, while remaining true to the structural DNA of the Studio F·A·Porsche.

### Construction

- Extruded aluminum fixture body, featuring Apure's signature louver designed by Studio F·A·Porsche
- 50,000 hours LED lifetime
- Approximate fixture weight: 720g (1.58lbs)
- Operating Temperature: 10°C to 50°C

### Fixture Size

- Visible Dimensions: 105mm x 55 mm x 55 mm (4-1/8" x 2-3/16" x 2-3/16")
- Recess Depth: N/A - junction box not required

### Light Output

- High performance Cree LED, available in various color temperatures
- 1000lm source output
- 2-step SDCM ellipse
- Color rendering index (CRI) min. 90
- Integral microprocessor controlled thermal protection

### Electrical Specifications

Constant Current 1000mA 12V DC Input (Class 2, 12W Power Consumption)

- Remote 1000mA Constant Current Driver Required
- 0-10V 0.1% Dimming
- Recommended wire, min. 16 AWG plenum rated (CMP, when required) up to 82ft from remote transformer

### Installation Types

- Can be mounted directly to most ceiling surfaces using anchors or screws (not provided)
- Features Apure's magnetic installation bracket system for tool free luminaire servicing

### Listings

- UL Listed
- CE Conform
- JA8/Title 24
- Suitable for dry locations

### Resources / Installation Videos

Scan QR Code or visit at [apurelighting.com/resources/](http://apurelighting.com/resources/)



Resources



Videos



## ORDERING INFORMATION

### SERIES

- AR** - Artus Series

### MODEL

- 1** - Artus

### TYPE

- 1** - LED

### ORIENTATION

- F** - Fixed

### FIXTURE FINISH

- BA** - Black Anodized  
 **WH** - White Powder Coat

### TEMPERATURE (CCT)

- 27** - Warm White (2700K)  
 **30** - Soft White (3000K)

### COLOR RENDERING INDEX

- 90** - ≥90

### VARIANT

- T24** - Title 24

### DIMMING PROTOCOL

- EU** - 0-10V (12V, Constant Current 1000mA)\*

\*remote powered fixture, power supply required

### ORDERING EXAMPLE

AR11FBA3090T24EU

**Accessory for Installation Type**

Surface Mounted (Standard)  
Semi-Recessed (Nexu System)\*  
Profile System (Liniar System)\*

**Part Number**

None Required  
NSBRKUXX  
LSXXXX

**Thickness**

--  
Various  
15mm

**Remote Power Supply for EU Variant - [EU]**

Magnitude AFLEX Power Supply (1000mA 60W)\*\*  
Magnitude AFLEX JBZN Series (1000mA 60W)\*\*\*

**Part Number**

AA3010M  
AA3010MJBXX

**Input Voltage**

120-277Vac  
120-277Vac

**Listings**

UL Listed  
UL Listed

\*Refer to cutsheet for more information.

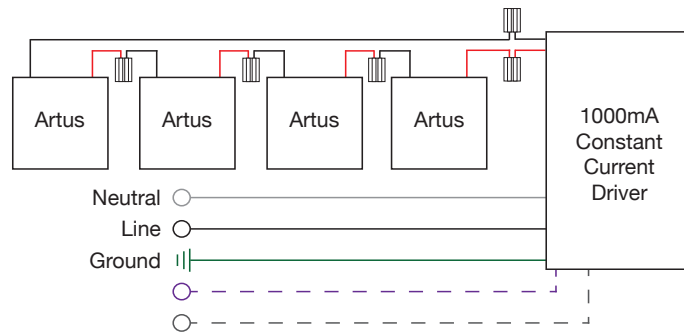
\*\*Driver enclosure required where applicable.

\*\*\*Refer to reseller for more information.

**Custom Installation Types**

- Observe and follow all local and national installation codes for all installation types.
- Test and make sure that all fixtures are working properly before any mudding, painting or finishing occurs!
- Read and adhere to all instructions supplied with each power supply and fixture.
- Follow all instructions supplied by power supply / driver manufacturer!

**Wiring Diagram for Constant Current Artus products - [EU]**



**Fixture Leads**

Red (+)  
Black (-)

*Warning: failure to wire correctly may cause fixture to fail.*

**Additional Considerations**

The above wiring diagram applies only to Constant Current Artus products with product ordering codes ending with "EU". The diagram above shows the typical wiring schematic, however the total number of fixtures per driver is driver specific.

- Magnitude AFLEX Power Supply (1000mA 60W)      1-4 Artus      16AWG - 82ft (25m)

**WARNING:** The power supply must operate within the range of minimum to maximum fixtures. Operation with less or more fixtures from the specified amount will result in damage to the power supply and/or lighting fixture. Incorrectly wiring the Constant Current lighting fixture may cause luminaire to fail.