

**ARTUS LAC** Multi-Directional Surface Mounted  
JA8/Title 24

**Quick Facts**

- Remote Powered, Class 2 Fixture
- 12W Cree LED
- Available in Warm White (2700K) and Soft White (3000K)
- 2-step SDCM ellipse for accurate color consistency between fixtures
- Full dimming range via remote power supply
- Visible Dimensions - 105mm x 55 mm x 55 mm (4-1/8" x 2-3/16" x 2-3/16")
- Suitable for installation in drywall, wood, and stone ceilings
- Suitable for dry locations
- Designed by Studio F·A·Porsche
- Engineered and made in Germany
- UL Listed



### Description

Purposefully designed to illuminate artworks and architectural spaces in which recess lighting is not a viable option and various beam spreads are requested, the ARTUS LAC by Apure is the most flexible, minimalist, and high performance architectural lighting available. Almost invisible in design and featuring a rotation of 360 degrees, with angles of up to 60 degrees, the true to size 55 mm x 110 mm (2 3/16" x 4 3/8") luminaire projects precise beams of ambient light.

### Construction

- Extruded aluminum fixture body, featuring Apure's signature louver designed by Studio F-A-Porsche
- 50,000 hours LED lifetime
- Approximate fixture weight: 720g (1.58lbs)
- Operating Temperature: 10°C to 50°C

### Fixture Size

- Visible Dimensions: 105mm x 55 mm x 55 mm (4-1/8" x 2-3/16" x 2-3/16")
- Recess Depth: N/A - junction box not required

### Light Output

- High performance Cree LED, available in various color temperatures
- 2-step SDCM ellipse
- Color rendering index (CRI) min. 90
- Integral microprocessor controlled thermal protection

### Electrical Specifications

- 12V DC Input (Class 2, 12W Power Consumption)
- Remote 1000mA Constant Current Driver Required
- 0-10V 0.1% Dimming (or) Phase Dimming drivers available
- Recommended wire, min. 16 AWG plenum rated (CMP, when required) up to 82ft from remote transformer

### Installation Types

- Can be mounted directly to most ceiling surfaces using anchors or screws (not provided)
- Features Apure's magnetic installation bracket system for tool free luminaire servicing

### Listings

- UL Listed
- CE Conform
- JA8/Title 24
- Suitable for dry locations

### Resources

Scan QR Code or visit at [apurelighting.com/resources/](http://apurelighting.com/resources/)



Resources



Videos



## ORDERING INFORMATION

### SERIES

- AR - Artus Series

### MODEL

- 2 - Artus Lac

### TYPE

- 1 - LED

### ORIENTATION

- M - Multi-Directional

### FIXTURE FINISH

- BA - Black Anodized  
 WH - White Powder Coat

### TEMPERATURE (CCT)

- 27 - Warm White (2700K)  
 30 - Soft White (3000K)

### COLOR RENDERING INDEX

- 90 - ≥90

### VARIANT

- T24 - Title 24

### DIMMING PROTOCOL

- EU - 0-10V (12V, Constant Current 1000mA)\*

\*remote powered fixture, power supply required

### ORDERING EXAMPLE

AR21FBA3090T24EU

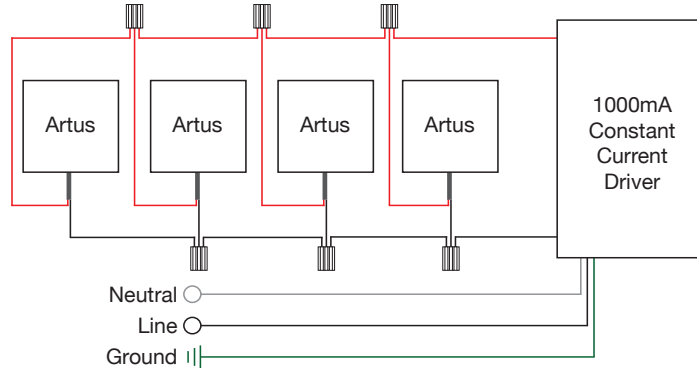
Remote Power Supply for EU Variant - [EU]	Part Number	Input Voltage	Listings
Magnitude AFLEX Power Supply (1000mA 60W)*	AA3010M	120-277Vac	UL Listed
Magnitude AFLEX JBZN Series (1000mA 60W)**	AA3010MJBXX	120-277Vac	UL Listed

\*Driver enclosure required where applicable.  
 \*\*Refer to reseller for more information.

**Custom Installation Types**

- Observe and follow all local and national installation codes for all installation types.
- Test and make sure that all fixtures are working properly before any mudding, painting or finishing occurs!
- Read and adhere to all instructions supplied with each power supply and fixture.
- Follow all instructions supplied by power supply / driver manufacturer!

**Wiring Diagram for Constant Current Artus products - [EU]**



**Fixture Leads**

Red (+)

Black (-)

*Warning: failure to wire correctly may cause fixture to fail.*

**Additional Considerations**

The above wiring diagram applies only to Constant Current Artus products with product ordering codes ending with "EU". The diagram above shows the typical wiring schematic, however the total number of fixtures per driver is driver specific.

- Magnitude AFLEX Power Supply (1000mA 60W)      1-4 Artus      16AWG - 82ft (25m)

**WARNING:** The power supply must operate within the range of minimum to maximum fixtures. Operation with less or more fixtures from the specified amount will result in damage to the power supply and/or lighting fixture. Incorrectly wiring the Constant Current lighting fixture may cause luminaire to fail.