

## ARTUS UNUS - NEW CONSTRUCTION | RETROFIT INSTALLATION INSTRUCTIONS | LOW VOLTAGE

Please read these instructions in their entirety prior to the start of the installation to ensure a proper and functional installation. Carefully review each step and confirm you have the necessary tools and compatible drivers to complete every step.

### WARNING & SAFETY INSTRUCTIONS

- DO NOT INSTALL DAMAGED PRODUCT! Upon receipt, thoroughly inspect for any freight damage which should be brought to the attention of the delivery carrier.
- Compare the catalog description listed on the packing slip with the label on the carton to ensure you have received the correct merchandise.
- Read and familiarize yourself with the nomenclature and instructions before starting installation.
- RISK OF ELECTRIC SHOCK! Turn off electricity at the breaker panel or fuse box and follow NEC and all local electrical building codes and practices.
- RISK OF INJURY! Avoid direct eye exposure to the light source while it is on.
- Do not install directly to line voltage! Remote power supply is required. Follow all instructions by the manufacturer!
- Do not power on fixture with lens protector installed.
- Avoid direct contact with light source. The fixture lens must have a minimum clearance of 1 foot (30cm) at all times.
- Do not submerge this product under water.
- Do not install incompatible dimmers with driver. Check dimmer compatibility on the driver cutsheet.

**THESE INSTRUCTIONS DO NOT PURPORT TO COVER ALL DETAILS OR VARIATIONS IN EQUIPMENT NOR TO PROVIDE FOR EVERY POSSIBLE CONTINGENCY TO BE MET IN CONNECTION WITH INSTALLATION, OPERATION OR MAINTENANCE. SHOULD FURTHER INFORMATION BE DESIRED OR SHOULD PARTICULAR PROBLEMS ARISE WHICH ARE NOT COVERED SUFFICIENTLY FOR THE CUSTOMER/OPERATOR'S PURPOSES THE MATTER SHOULD BE REFERRED TO APURE DISTRIBUTION, LLC.**

Failure to follow any of these instructions could void product warranties. For a complete listing of product Terms and Conditions, please visit [www.apurelighting.com](http://www.apurelighting.com). Apure assumes no responsibility for claims arising out of improper or careless installation or handling of its products.

### Resources / Installation Videos

Scan QR Code or visit at [apurelighting.com/resources/](http://apurelighting.com/resources/)



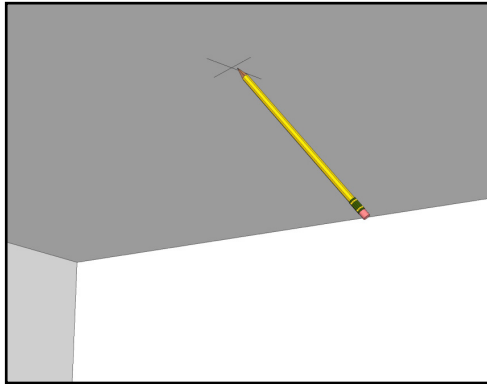
Resources



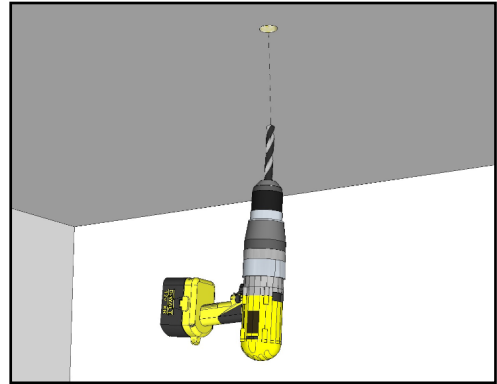
Videos



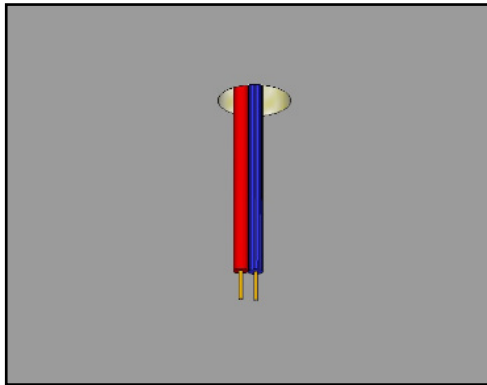
## ARTUS UNUS - New Construction | Retrofit



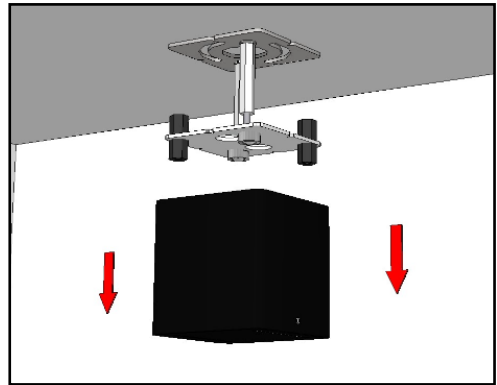
1. Ensure that any existing framing or studs do not interfere with the intended fixture location. Then, mark the desired location with a pencil.



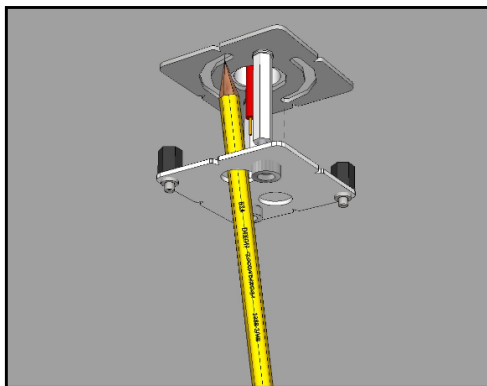
2. Drill a half inch hole in the center for your low voltage cable feed.



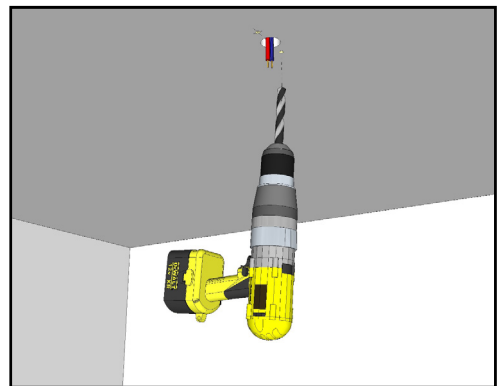
3. Feed the appropriate **low voltage** wiring to the pre-drilled wire opening.



4. Separate the magnetically attached Canopy Cover from the bracket.

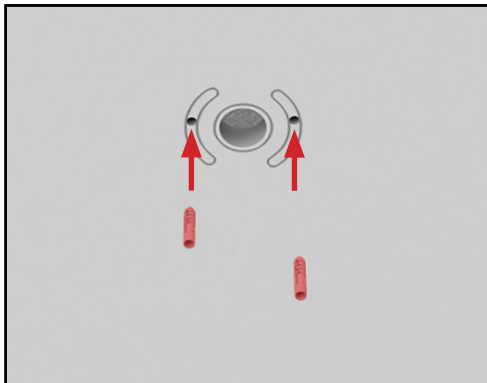


5. Using the bracket as a template, mark the drill and cut lines with a pencil.

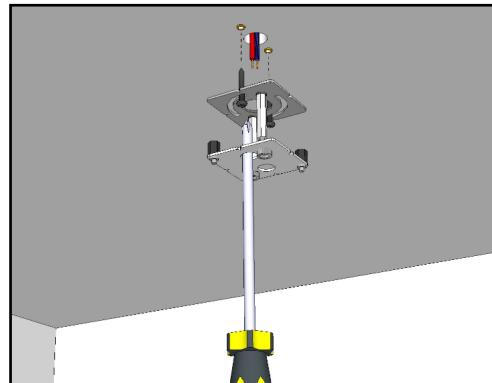


6. Drill two holes adequate for an M4 screw into center of the slotted markings. This will allow for the adjustment of the bracket, if needed.

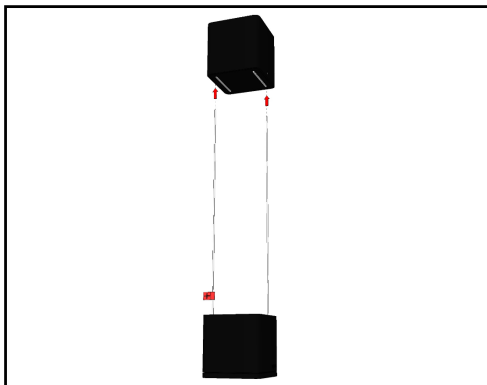
## ARTUS UNUS - Cont'd



7. Feed an adequate anchor for your ceiling condition into the pre-drilled holes.

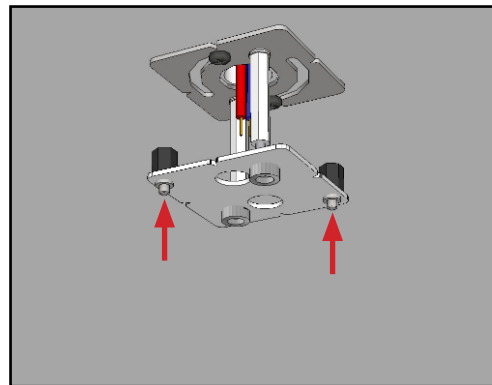


8. Raise the bracket to the ceiling and attach both screws to hold the bracket in place.

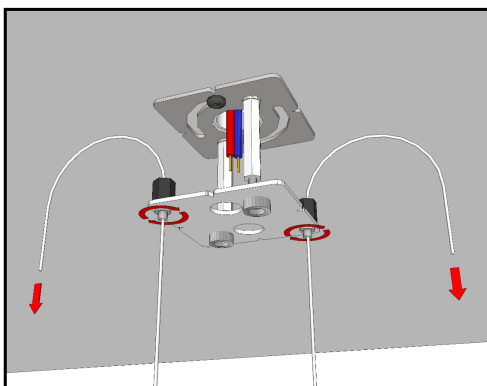


9. Carefully take the suspension cables and feed them through the Canopy cover.

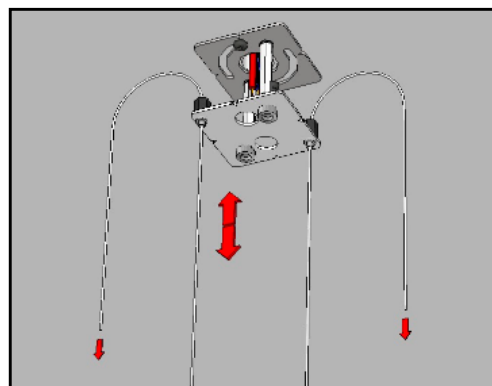
*Note: Do not bend or fold suspension cables.*



10. Prepare to adjust the suspension cables by loosening the cable glands. You can insert/adjust the cables freely by pushing on the cable glands button. Secure the cables in the desired position by releasing the button.

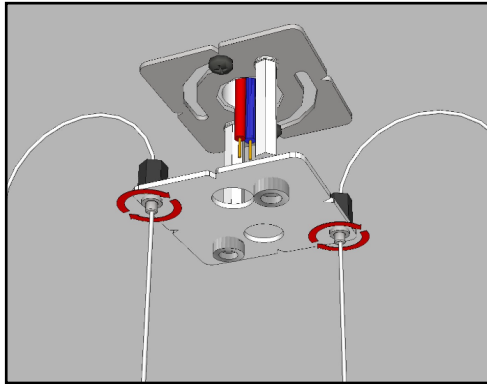


11. Insert the cables and adjust the cables until the fixture head is suspended to the desired height.

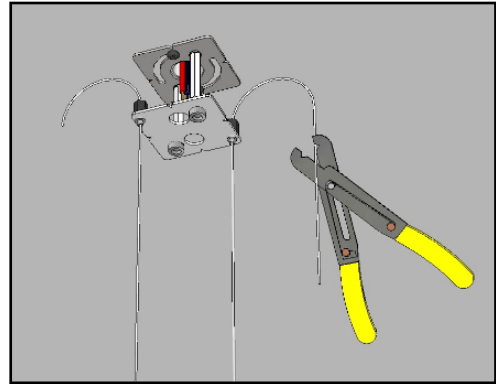


12. For fine tuning of the fixture position, push the suspension cable through the cable gland to raise the fixture. To lower the fixture, press on the cable gland button to release the cable.

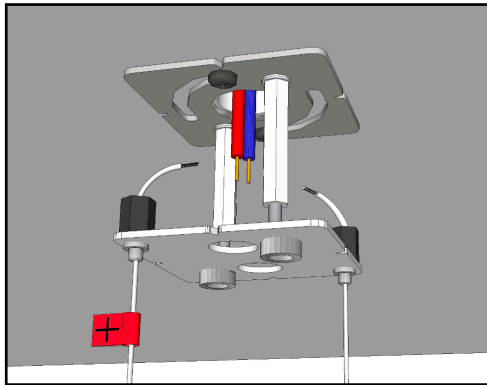
## ARTUS UNUS - New Construction | Retrofit



13. Tighten the cable glands once the ARTUS UNUS is completely level at the desired height.

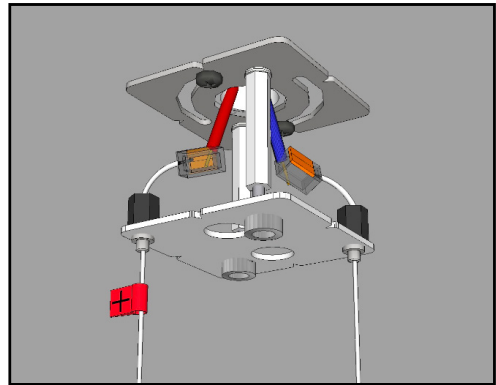


14. Cut the excess cable with a wire cutter. Leave approximately 3 inches of excess cable.



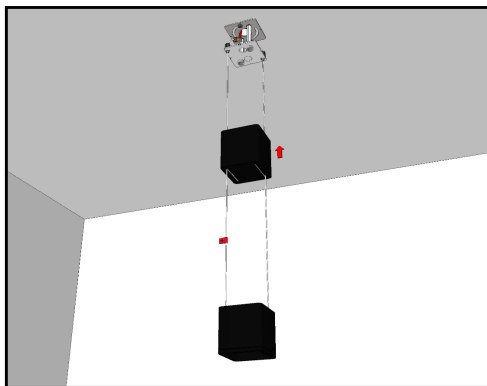
15. Strip the wires to expose the leads.

*Note: Do not remove the positive sticker identifying the positive cable.*

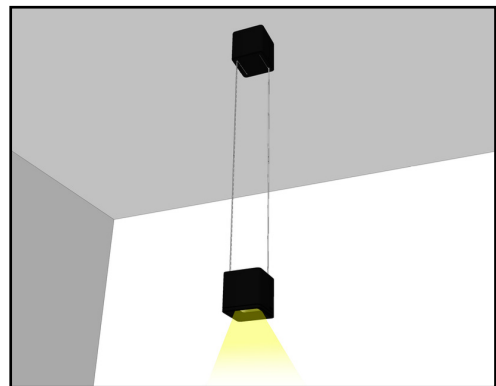


16. Make the **low voltage** electrical connection to the **remote power supply**.

*Note: Please refer to wiring diagram on page 5.*



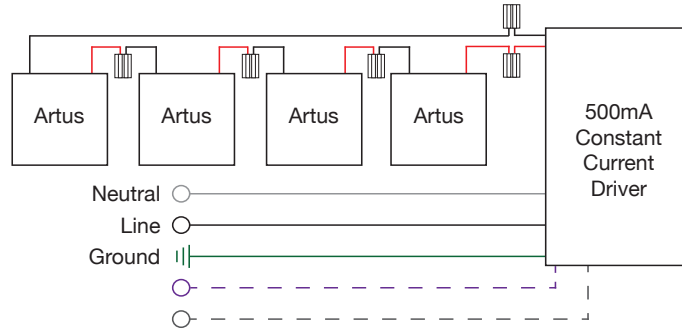
17. Raise the Canopy Cover to ceiling and magnetically attach the cover to the bracket.



18. Test that the fixture is fully operational. Then, remove the positive sticker from the suspension cable. The installation is complete.

**Wiring diagram on the following page.**

## Wiring Diagram for Constant Current Artus products - [CC]



**Fixture Leads**  
Red (+)  
Black (-)

*Warning: failure to wire correctly may cause fixture to fail.*

### Additional Considerations

The above wiring diagram applies only to Constant Current Artus products with product ordering codes ending with "EU". The diagram above shows the typical wiring schematic, however the total number of fixtures per driver is driver specific.

- |  |           |                    |
|--|-----------|--------------------|
| • Magnitude AFLEX Power Supply (500mA 60W) | 1-4 Artus | 16AWG - 82ft (25m) |
| • Apure Phase Dimmable (500mA 29W)         | 1-2 Artus | 16AWG - 82ft (25m) |
| • Apure Phase Dimmable (500mA 30-65W)      | 3-5 Artus | 16AWG - 82ft (25m) |
| • Apure DALI, Push, 1-10V (500mA 30-65W)   | 1-4 Artus | 16AWG - 82ft (25m) |

**WARNING:** The power supply must operate within the range of minimum to maximum fixtures. Operation with less or more fixtures from the specified amount will result in damage to the power supply and/or lighting fixture. Incorrectly wiring the Constant Current lighting fixture may cause luminaire to fail.