



MINUS NANO Minimal Recessed

Quick Facts

- Class 2 Fixture, Remote Powered up to 25m (82ft) max
- Minimal fixture aperture - 20mm
- 19mm (3/4") recess depth required
- 12W Cree LED
- Up to 1000lm from source (IES files available upon request)
- Available in Warm White (2700K) and Soft White (3000K)
- Color Rendering Index ≥ 90
- 2-step SDCM ellipse for accurate color consistency between fixtures
- Full dimming range via remote power supply
- Suitable for installation in drywall, wood, and stone ceilings
- Suitable for dry, damp locations
- Type IC Rated, Plenum Rated, Airtight Rated
- Patented Product
- JA8/Title 24 listed
- UL Listed
- Engineered and made in Germany



Description

Enhance your space with the Minus Nano, Apure's newest addition to its award winning and patented Minus Series. Crafted for the discerning connoisseur, the Minus Nano embodies elegance and performance in perfect harmony. With interchangeable round louvers, available in various finishes, you can personalize the Minus Nano's design to match your individual style seamlessly at any time.

Construction

- Extruded aluminum fixture body
- 50,000 hours LED lifetime
- Approximate fixture weight: 720g (1.58lbs)
- Operating Temperature: 10°C to 50°C
- Threaded adjustable ring

Fixture Size

- Visible Aperture: 20mm
- Recess Depth: 19mm (3/4")
- Heat Sink: 120mm x 120mm (4 - 3/4" x 4 - 3/4")

Light Output

- High performance Cree LED, available in various color temperatures
- 1000lm source light output
- 2-step SDCM ellipse
- Color rendering index (CRI) min. 90
- Integral microprocessor controlled thermal protection

Electrical Specifications

- Constant Current 12V DC Input (Class 2, 12W Power Consumption)
- Remote 1000mA Constant Current Driver Required
- 0-10V 0.1% Dimming (or) 1-10V/Push/DALI (or) Phase Dimming drivers available
- Recommended wire, min. 16 AWG plenum rated (CMP, when required) up to 82ft from remote transformer

Installation Types

- Drywall installation for new construction and retrofit installations possible with the Universal Drywall Bracket, available for various drywall thicknesses.
- Custom installations for wood, metal and stone ceilings. Requires shop drawings available per request by Apure.
- The Minus series is not suitable for installation within steam rooms or saunas!

Listings

- UL Listed, CE Conform
- JA8/Title 24
- Suitable for dry and damp locations
- Type IC Rated, Plenum Rated, Airtight Rated

Resources / Installation Videos

Scan QR Code or visit at apurelighting.com/resources/



Resources

ORDERING INFORMATION

SERIES

AM - Minus Series

MODEL

N - Minus Nano

TYPE

1 - LED

ORIENTATION

F - Fixed

TEMPERATURE (CCT)

- 27 - Warm White (2700K)
- 30 - Soft White (3000K)

COLOR RENDERING INDEX

90 - ≥90

OPTICS (DEGREE)

- S - Spot (16°)
- N - Narrow Flood (25°)
- F - Flood (55°)

DIMMING PROTOCOL

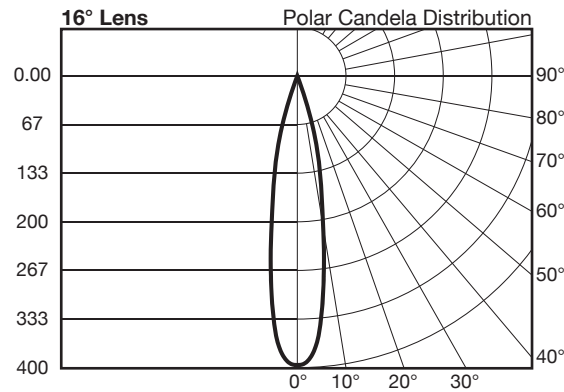
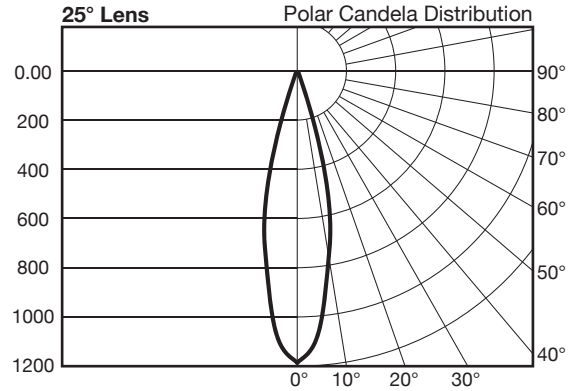
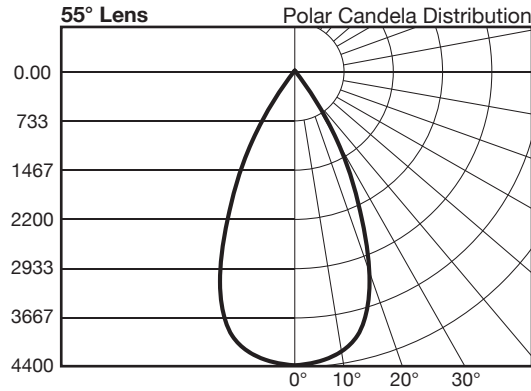
CC - 0-10V / DALI** / Phase Dim** (1000mA Constant Current, 12VDC)*

*remote powered fixture, power supply required
**currently not available for JA8 Title 24 fixtures

ORDERING EXAMPLE

AMN1F3090FCC

LED Photometrics



Drywall Accessories

Universal Drywall Bracket	AMNBRKU10	10mm	Drywall Installations
Universal Drywall Bracket	AMNBRKU12	12.5mm	Drywall Installations
Universal Drywall Bracket - (US Standard)	AMNBRKU15	15mm	Drywall Installations

Part Number

Thickness

Requirement

Remote Power Supply for CC Variant

Magnitude AFLEX Power Supply (1000mA 60W)*	AA3010M1000	120-277Vac	UL Listed
Magnitude AFLEX JBZN Series (1000mA 60W)**	AA3010MJBXX	120-277Vac	UL Listed
Apure Phase Dimmable (1000mA 29W)	AA32202DEU	220-240Vac	CE
Apure Phase Dimmable (1000mA 30-65W)	AA32205DEU	220-240Vac	CE
Apure DALI, Push, 1-10V (1000mA 30-65W)*	AA3DALIDEU	110-240Vac	CE

Part Number

Input Voltage

Listings

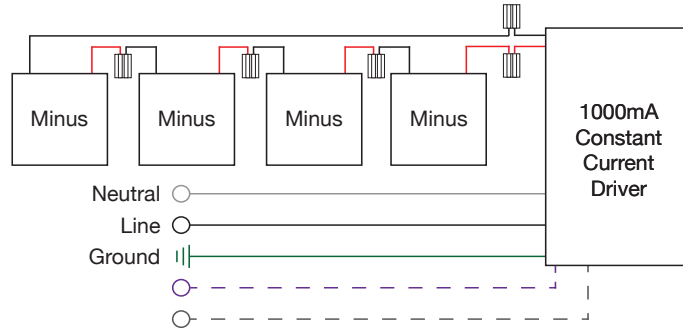
*Driver enclosure required where applicable.

**Refer to reseller for more information.

Custom Installation Types

- The universal bracket (AMNBRKUX) is intended only for drywall installations.
- System ceilings, stone, wood and metal ceiling integrations are accomplished through custom fabrication by others. Please note, not all materials are suitable for installation. However, Apure will make every effort to accommodate custom integrations. Please contact your authorized Minus reseller for more information regarding custom ceiling integrations.
- Fixtures must have a minimum clearance of 12 inches (30cm) below or horizontally from the light source at all times!
- Observe and follow all local and national installation codes for all installation types.
- Test and make sure that all fixtures are working properly before any mudding, painting or finishing occurs!
- Read and adhere to all instructions supplied with each power supply and fixture.
- Follow all instructions supplied by power supply / driver manufacturer!

Wiring Diagram for Constant Current Minus products - [CC]



Fixture Leads
Red (+)
Black (-)

Warning: failure to wire correctly may cause fixture to fail.

Additional Considerations

The above wiring diagram applies only to Constant Current Minus products with product ordering codes ending with "CC" or "EU". The diagram above shows the typical wiring schematic, however the total number of fixtures per driver is driver specific.

- Magnitude AFLEX Power Supply (1000mA 60W) 1-4 Minus 16AWG - 82ft (25m)
- Apure Phase Dimmable (1000mA 29W) 1-2 Minus 16AWG - 82ft (25m)
- Apure Phase Dimmable (1000mA 30-65W) 3-5 Minus 16AWG - 82ft (25m)
- Apure DALI, Push, 1-10V (1000mA 30-65W) 1-4 Minus 16AWG - 82ft (25m)

WARNING: The power supply must operate within the range of minimum to maximum fixtures. Operation with less or more fixtures from the specified amount will result in damage to the power supply and/or lighting fixture. Incorrectly wiring the Constant Current lighting fixture may cause luminaire to fail.