

## MINUS Dimmable Power Supply (1-2 Fixtures) Remote Power Supply

**Minus UNV Dimmable Power Supply** - The Minus Power supply can power 1-2 European type Minus or Artus fixtures (12.5W) and is dimmable via phase dimming and features short circuit protection, overheat and overload protection.

### Construction

- Protection Mechanism: short circuit, over load, over temperature
- No, Hot plug-in or secondary switching of LEDs
- Weight: 0.35lbs (163g)

### Installation

- 5" (12.7cm) minimum installation space between power supplies
- Installation requires 16AWG wire

### Product Dimensions

- Length: 5.39" (137mm) • Width: 1.02" (26mm) • Height: 1.16" (29.5mm)

### Electrical

- Input Voltage: 220-240 VAC - 50/60 Hz
- Input Current: 0.2A
- Input Power: 29W
- Inrush Current: 5A/100µs
- Output Current: 1000mA +/-5%
- Output Voltage: 12-26 VDC
- Max Output Voltage: 25 VDC
- Rated Power: 26W
- Dimming Range: 10-100% via Phase
- Ambient Temperature: -20°C - +50°C
- Case Temperature Max: 85°C
- Efficiency: typ. 83% @230VAC / 26W
- Power Factor: (λ): typ. 0.97 @230VAC / 26W

### Listings / Certifications

- SELV
- Protection Class: IP20
- Class II Output
- CE Rated

## ORDERING INFORMATION

### SERIES

AA3 - Remote Supply

### MODEL

2202 - 1-2 Fixtures

### TYPE

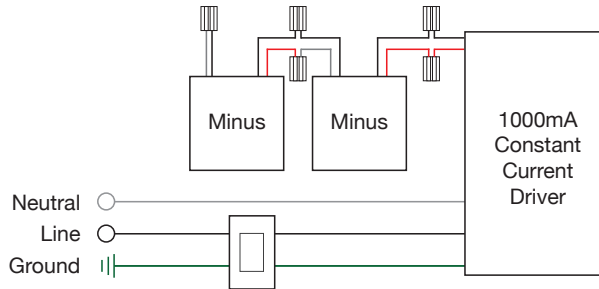
D - DC Output

### REGION

EU - Euro/Int'l

**ORDERING EXAMPLE** AA3-2202-D-EU

### Wiring Diagram for Constant Current Minus products - [EU]



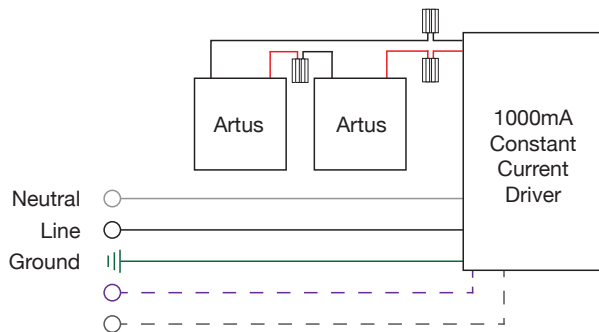
**Fixture Leads In**  
Red with Red (+)  
Black with Black (-)

**Fixture Leads Out**  
Black with Black  
White with Red

*Warning: failure to wire correctly may cause fixture to fail.*

*Note: The white and black cables of the last fixture in the series must be bridged together!*

### Wiring Diagram for Constant Current Artus products - [EU]



**Fixture Leads**  
Red (+)  
Black (-)

### Additional Considerations

The above wiring diagram applies only to Constant Current Minus and Artus products with product ordering codes ending with "EU". The diagram above shows the typical wiring schematic, however the total number of fixtures per driver is driver specific.

- Apure Phase Dimmable (1000mA 29W)                      1-2 Minus/Artus                      16AWG - 82ft (25m)

**WARNING:** The power supply must operate within the range of minimum to maximum fixtures. Operation with less or more fixtures from the specified amount will result in damage to the power supply and/or lighting fixture. Incorrectly wiring the Constant Current lighting fixture may cause luminaire to fail.