

ARTUS CIRC & ARTUS CIRC LAC - NEW CONSTRUCTION | RETROFIT INSTALLATION INSTRUCTIONS | | LOW VOLTAGE

Please read these instructions in their entirety prior to the start of the installation to ensure a proper and functional installation. Carefully review each step and confirm you have the necessary tools and compatible drivers to complete every step.

WARNING & SAFETY INSTRUCTIONS

- DO NOT INSTALL DAMAGED PRODUCT! Upon receipt, thoroughly inspect for any freight damage which should be brought to the attention of the delivery carrier.
- Compare the catalog description listed on the packing slip with the label on the carton to ensure you have received the correct merchandise.
- Read and familiarize yourself with the nomenclature and instructions before starting installation.
- RISK OF ELECTRIC SHOCK! Turn off electricity at the breaker panel or fuse box and follow NEC and all local electrical building codes and practices.
- RISK OF INJURY! Avoid direct eye exposure to the light source while it is on.
- Do not install directly to line voltage! Remote power supply is required. Follow all instructions by the manufacturer!
- Do not power on fixture with lens protector installed.
- Avoid direct contact with light source. The fixture lens must have a minimum clearance of 1 foot (30cm) at all times.
- Do not submerge this product under water.
- Do not install incompatible dimmers with driver. Check dimmer compatibility on the driver cutsheet.

THESE INSTRUCTIONS DO NOT PURPORT TO COVER ALL DETAILS OR VARIATIONS IN EQUIPMENT NOR TO PROVIDE FOR EVERY POSSIBLE CONTINGENCY TO BE MET IN CONNECTION WITH INSTALLATION, OPERATION OR MAINTENANCE. SHOULD FURTHER INFORMATION BE DESIRED OR SHOULD PARTICULAR PROBLEMS ARISE WHICH ARE NOT COVERED SUFFICIENTLY FOR THE CUSTOMER/OPERATOR'S PURPOSES THE MATTER SHOULD BE REFERRED TO APURE DISTRIBUTION, LLC.

Failure to follow any of these instructions could void product warranties. For a complete listing of product Terms and Conditions, please visit www.apurelighting.com. Apure assumes no responsibility for claims arising out of improper or careless installation or handling of its products.

Resources / Installation Videos

Scan QR Code or visit at apurelighting.com/resources/



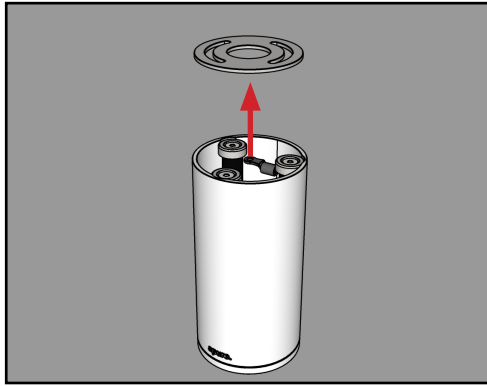
Resources



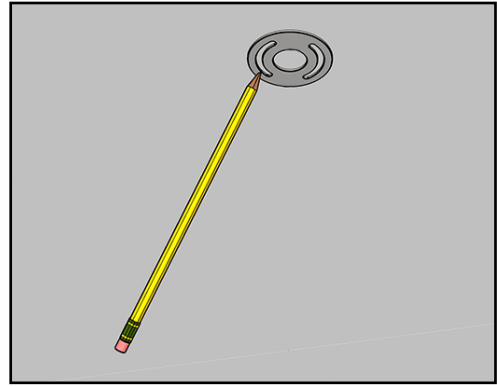
Videos



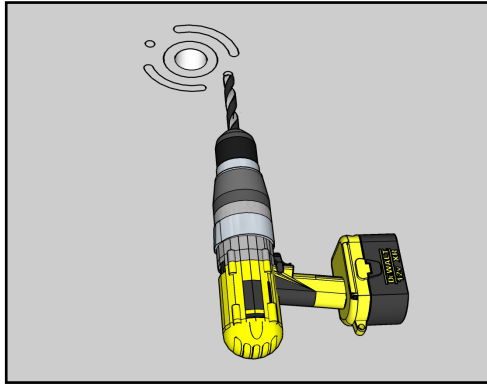
ARTUS CIRC & ARTUS CIRC LAC - New Construction | Retrofit



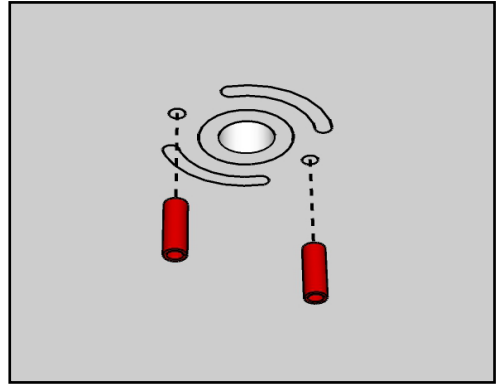
1. Carefully remove the magnetic installation bracket from the fixture.



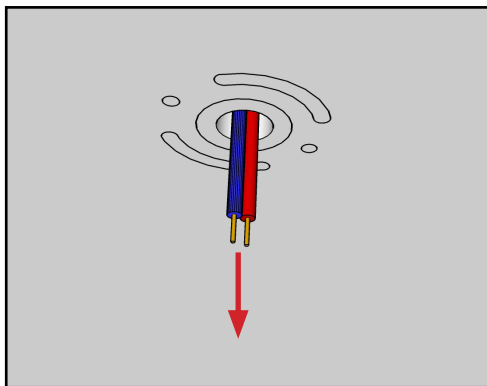
2. Using the bracket as a template, mark the drill and cut lines with a pencil.



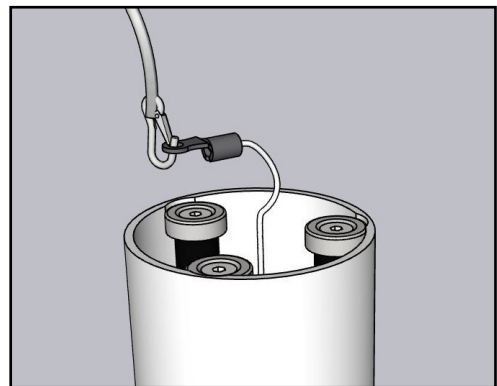
3. Remove the bracket and drill a half inch hole in the center for your low voltage cable feed. Then, drill two holes adequate for an M4 screw into center of the slotted markings. This will allow for the adjustment of the bracket, if needed.



4. Feed an adequate anchor for your ceiling condition into the pre-drilled holes.

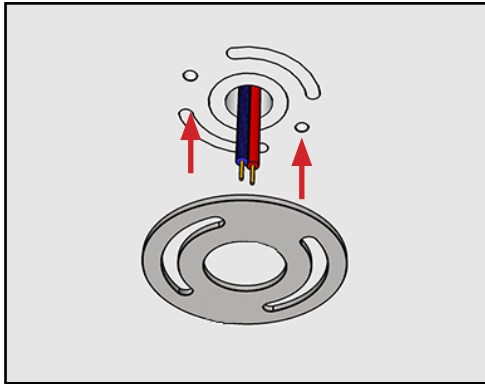


5. Feed the appropriate **low voltage** wiring to the pre-drilled wire opening.

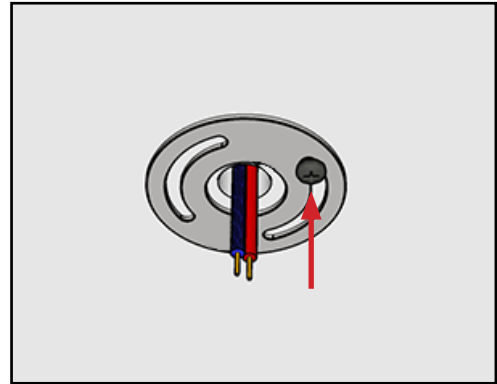


6. Ensure that the safety cable is secured to the fixture. If it is not, secure the safety cable to the fixture body.

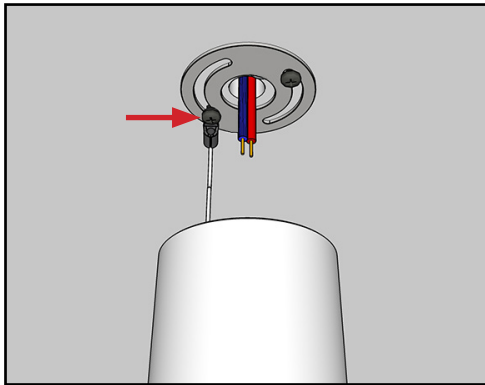
ARTUS CIRC & ARTUS CIRC LAC - Cont'd



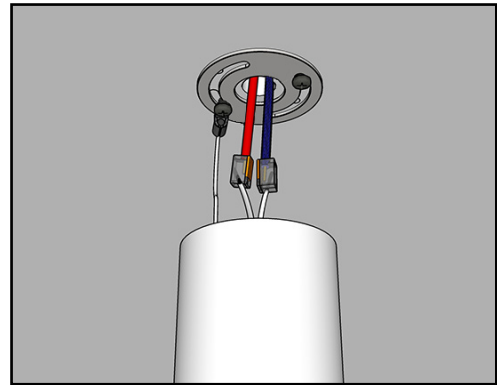
7. Take the installation bracket and secure it to the ceiling with the appropriate hardware.



8. Attach the first screw to hold the bracket in place.

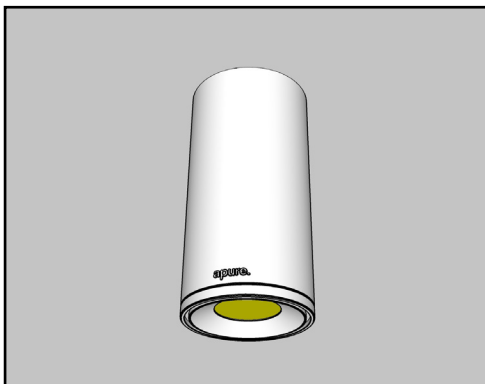


9. Ensure that the safety cable is secured under the second screw or bolt.

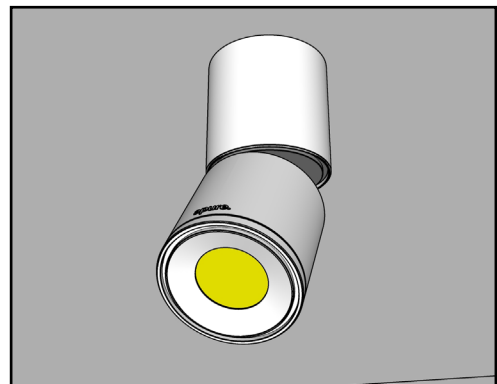


10. Make the **low voltage** electrical connection from the remote driver to the fixture.

Note: Please refer to wiring diagram on page 4.



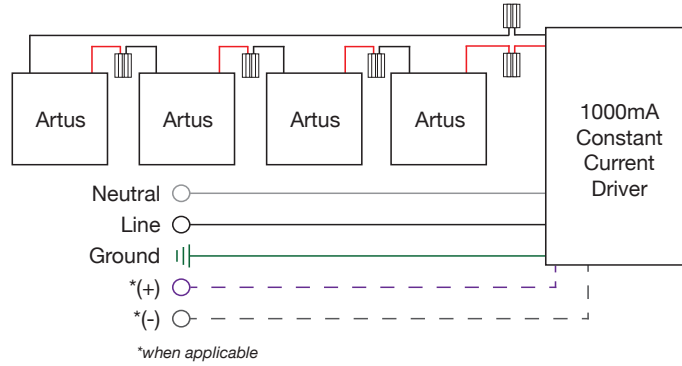
11. Carefully secure the fixture with two hands to the magnetic installation bracket. Then, test that the fixture is fully operational.



12. For the ARTUS CIRC LAC, you may now rotate and swivel the head of the fixture to its desired location. The installation is now complete.

Wiring diagram on the following page.

Wiring Diagram for 12V Artus Products - [CC]



Fixture Leads
Red (+)
Black (-)

Warning: failure to wire correctly may cause fixture to fail.

Additional Considerations

The above wiring diagram applies only to Constant Current Artus products with product ordering codes ending with "CC". The diagram above shows the typical wiring schematic, however the total number of fixtures per driver is driver specific.

- | | | |
|---|-----------|--------------------|
| • Magnitude AFLEX Power Supply (1000mA 60W) | 1-4 Artus | 16AWG - 82ft (25m) |
| • Apure Phase Dimmable (1000mA 29W) | 1-2 Artus | 16AWG - 82ft (25m) |
| • Apure Phase Dimmable (1000mA 30-65W) | 3-5 Artus | 16AWG - 82ft (25m) |
| • Apure DALI, Push, 1-10V (1000mA 30-65W) | 1-4 Artus | 16AWG - 82ft (25m) |

WARNING: The power supply must operate within the range of minimum to maximum fixtures. Operation with less or more fixtures from the specified amount will result in damage to the power supply and/or lighting fixture. Incorrectly wiring the 12V CC lighting fixture may cause luminaire to fail.